

# 2007-08 SAILING

92 Collegiate All-America Honors  
12 Kennedy Cup Championships

**J/105 - Allegiance**

*Offshore Sailing*

**Charlotte Hill**

*Senior • Intercollegiate Sailing*

N

A

V

Y

**This is**

**COURAGE**

# NAVY ATHLETICS

**CONFIDENCE**



More than 34% of the Brigade competes in varsity athletics

31 Varsity sports offered by the Naval Academy Athletic Association

**HONOR**

**COMMITMENT**

**TEAMWORK**

More than 1,500 athletes represent the Academy at the Division I level

More than 500 competitions per year

**STRENGTH**

Varsity athletes graduate at a higher rate than the Brigade

**PASSION**

**TOUGHNESS**

Varsity athletes wear our blue and gold with pride as representatives of the Brigade of Midshipmen

**PRIDE**

More than 50% of the varsity athletes engage in community outreach programs

**INTENSITY**

**INTEGRITY**

42% of all female midshipmen are varsity athletes

**ATTITUDE**

The Naval Academy has 10 conference and league affiliations



# Table of Contents

**Intercollegiate Sailing**

Outlook .....2  
 Schedule .....3  
 Coaching Staff .....4  
 MAISA Member Schools .....5  
 Roster .....5  
 Midshipmen Profiles .....6-11  
 Team Facts .....11  
 Sailing Fleet .....12  
 Individual Honors .....13

**Offshore Sailing**

Outlook .....14  
 Coaching Staff .....15  
 Roster .....16-17  
 Schedule .....17  
 Midshipmen Profiles .....18-22  
 Navy '44 .....23  
 Awards and Honors .....23

**The U.S. Naval Academy**

The Naval Academy .....24-25  
 Academic Success .....26  
 Midshipmen in the Community .....27  
 The Robert Crown Sailing Center .....28

## Quick Facts

### Naval Academy

Location .....Annapolis, Md.  
 Founded .....October 10, 1845  
 Enrollment .....4,200  
 Nickname .....Midshipmen, Mids  
 Colors .....Navy Blue and Gold  
 Superintendent . . .Vice Adm. Jeffrey Fowler, USN  
 Commandant .....Capt. Margaret Klein, USN  
 Director of Athletics .....Chet Gladchuk  
 Facility .....Robert Crown Center  
 Sailing Center Phone .....410-293-5615  
 Academy Web Site .....www.usna.edu  
 Athletics Web Site .....www.navySports.com  
 Team Web Site .....www.usna.edu/SailingTeam



**Chris Forman**  
Assistant SID

## Navy Sports Information Staff

**Sailing Contact:** Chris Forman  
**Office Phone:** (410) 293-8774  
**Cell Phone:** (413) 687-4590  
**Email:** forman@usna.edu  
**Sports Information Fax:** (410) 293-8954  
**Website:** www.NavySports.com



**Scott Strasemeier**  
Associate AD/  
Sports Information



**Stacie Michaud**  
Associate SID



**Justin Kischefsky**  
Assistant SID



**Jonathan Maggart**  
Assistant SID

## Intercollegiate Sailing Staff

Head Coach .....John Vandemoer  
 Office Phone .....(410) 293-5617  
 Assistant Coach .....Lt. Ted Huebner, USN  
 Office Phone .....(410) 293-5612  
 Assistant Coach .....Ali Sharp  
 Office Phone .....(410) 293-5613  
 Fax .....(410) 293-5233  
 Director of Finance & Admin. ....Joni Palmer  
 Office Phone .....(410) 293-5615

## Offshore Sailing Staff

Head Coach .....Jahn Tihansky  
 Office Phone .....(410) 293-5608  
 Assistant Coach .....Pete Carrico  
 Office Phone .....(410) 293-5606  
 Operations Officer .....Lt. Joe McGettigan, USN  
 Office Phone .....(410) 293-5605  
 Fax .....(410) 293-5233



The U.S. Naval Academy intercollegiate sailing team will sail in over 60 collegiate and one-design regattas during the 12-week fall and 12-week spring seasons each year. With 125 Intercollegiate Sailing Association (ICSA) member schools located in the Mid-Atlantic and New England districts Annapolis is situated just far enough south to sail late into the fall and start early each spring and is in the center of collegiate sailing's most active and competitive region.

The intercollegiate sailing team practices four days a week for three hours a day and competes every weekend in both the fall and spring. The team also works out with the team trainer two days a week to be in top physical shape.



Navy's very comprehensive and competitive schedule leads to the six ICSA National Championships. Three championships are held in the fall season -- the men's single-handed, the women's single-handed and the sloops. The other three championships are held at the conclusion of the spring season -- the coed dinghy, the women's dinghy and team racing. When the collegiate racing season ends in the spring, many team members continue to train in the summer as crew members on the Academy's offshore racing boats, which sail and compete throughout the East Coast during the summer. With this much sailing time, it is easy to understand the old adage, "you will never be a better dinghy sailor than the day after you graduate college."

The sailing program's fleet of racing dinghies consists of 42 racing Lasers, 50 training Lasers, 22 420s, 22 Flying Juniors, three interclub dinghies, 3 V-15's, 1 J22, 1 24 and four Tech Dinghies. This gives the team the latitude to focus during practice in a specific boat for an upcoming event. With such a large fleet, Navy is able to play host to a multitude of events every year, including two of the largest college sailing regattas in the world. The Navy Fall Intersectional and

## Navy Intercollegiate Sailing Fleet

Lasers	42
Collegiate 420s	22
Collegiate FJs	22
Interclub Dinghy	3
Tech Dinghy	3
Vanguard 15 Dinghy	3

the Truxtun Umstead Regatta in the spring feature four divisions of 20 teams all racing on the water at the same time and are run by the midshipmen.

The Naval Academy's sailing facility, the Robert Crown Sailing Center, is a state of the art facility with video ready classrooms and rolling weather input on flat screen TV's as well as a full Locker room facility for Men and Women.

Navy Sailing has a long standing history of recruiting talent and achieving results. Senior Skipper and returning two time All- American Charlotte Hill leads the 4th ranked team in the country with Senior Crew Maggie Reynolds. Junior skipper Andrew Vann with sophomore's Bryan Rigby and Martin Sterling lead the 11th ranked Coed Team in the country. All Star crews Kristen Sproat, Trisha Kuktwiecz and Christina Chance will help both the Women's and Coed teams.

The 2007-2008 incoming freshman class will add depth to the squad by adding Youth Champion Royce Weber, Youth World Champion Megan Magill, Robert Vann and James Allsop. This class will give us a real chance at continuing our success in Women's racing while adding to our single-handed threat.

Navy Intercollegiate Sailing continues to be a young team with talent and ready to be a top contender on the National Scale. The IC team looks forward to our Conference Championships to show off our young talent.



**2007 Intercollegiate Sailing Fall Schedule**

<b>Date</b>	<b>Event</b>	<b>Site</b>
Sept. 8-9	Pine Trophy	New London, Conn.
Sept. 8-9	Anderson Trophy	New Haven, Conn.
Sept. 8-9	Kings Point Laser Open	Kings Point, N.Y.
<b>Sept. 8-9</b>	<b>Navy Laser Open</b>	<b>Annapolis, Md.</b>
Sept. 8-9	Riley Cup	Norfolk, Va.
Sept. 8-9	Old Dominion BYO Women & Men's Radial	Norfolk, Va.
Sept. 15-16	Hatch Brown	Cambridge, Mass.
Sept. 15-16	Nevins Trophy	Kings Point, N.Y.
Sept. 15-16	Central Fall #1 - Ocean County Col.	Toms River, N.J.
Sept. 15-16	New York Maritime Fall Open	Throggs Neck, N.Y.
<b>Sept. 22-23</b>	<b>Laser Qualifier South</b>	<b>Annapolis, Md.</b>
Sept. 22-23	South #1 - St. Mary's College Open for the Senators' Cup	St. Mary's City, Md.
Sept. 22-23	Princeton Women's Fall Open	Princeton, N.J.
Sept. 29-30	North Fall #1	Throggs Neck, N.Y.
Sept. 29-30	Danmark Trophy	New London, Conn.
<b>Sept. 29-30</b>	<b>Faye Bennett / MAISA Women's Singlehandeds</b>	<b>Annapolis, Md.</b>
<b>Sept. 29-30</b>	<b>Carl Van Duyn Trophy / MAISA Men's Singlehandeds</b>	<b>Annapolis, Md.</b>
Oct. 6-7	Hap Moore Team Race	New London, Conn.
<b>Oct. 6-7</b>	<b>Navy Women's Fall Intersectional</b>	<b>Annapolis, Md.</b>
Oct. 6-7	Hobart / William Smith Fall Intersectional	Geneva, N.Y.
Oct. 6-7	Hampton Bay Days	Hampton, Va.
Oct. 13-14	Yale Women's Intersectional	New Haven, Conn.
<b>Oct. 13-14</b>	<b>Navy Fall Intersectional</b>	<b>Annapolis, Md.</b>
Oct. 13-14	Central Fall #2 - Washington College	Chestertown, Md.
Oct. 20-21	Hoyt Trophy	Providence, R.I.
Oct. 20-21	Stu Nelson (Women's)	New London, Conn.
<b>Oct. 20-21</b>	<b>MAISA Sloops</b>	<b>Annapolis, Md.</b>
<b>Oct. 20-21</b>	<b>MAISA Fall Open</b>	<b>Annapolis, Md.</b>
Oct. 20-21	Kings Point Dinghy Open	Kings Point, N.Y.
Oct. 27-28	Women's Victorian Coffee Urn	Cambridge, Mass.
Oct. 27-28	War Memorial	Throggs Neck, N.Y.
Nov. 2-4	ICSA Men's Singlehandeds	Seattle, Wash.
Nov. 2-4	ICSA Women's Singlehandeds	Seattle, Wash.
Nov. 3-4	MAISA Women's Fall Dinghy	Geneva, N.Y.
Nov. 10-11	Atlantic Coast Women	TBA
Nov. 10-11	Atlantic Coast Dinghies	TBA
Nov. 12-16	Women's Rolex Keelboat Championships	Houston, Texas
Nov. 16-18	ICSA Sloops	Fort Worth, Texas
Jan. 5-6	Rose Bowl	Los Angeles, Calif.

• The spring portion of the schedule will be released at a later date.

Home meets in bold.



# Head Coach John Vandemoer

## Second Year at Navy - Hobart (2000)

John Vandemoer enters his first full year as Head Coach for the intercollegiate team. John was the interim Head Coach in the Spring of 07 and led the Midshipman to three national Championship appearances, the first time for Navy Sailing in 12 years, and finished ranked fourth in the country for the Women's team and ninth in the country for the Coed team.

Before coming to the Academy, Vandemoer was the Assistant Coach at St. Mary's College where he led the Seahawks to a second-place finish in the country and helped produce nine All Americans in two years. He also ran the Chicago Yacht Club sailing program, while there John led the Midwest to their first Junior National Championship and to an eighth-place showing in the World

Youth Championship.

John continues to coach the National Optimist team as well as clinics throughout the country for both sailors and aspiring coaches. Vandemoer was also recently named the Head Junior National Coach for the United States and he runs development clinics and regattas for the top youth sailors in the country.

Vandemoer is a level 3 US Sailing certified coach, only one of eight in the country and is also a certified instructor trainer. John has recently spent time coaching the top Team Race and Olympic hopefuls in the USA to help push his knowledge. He also received the Capt. Joe Prosser Award for excellence in Sail Training and also received the Hansen Rescue medal for a rescue at sea.

Vandemoer graduated from Hobart College in 2000 where he received a BS in Geo-Chemistry. During his four years at Hobart, Vandemoer competed on the Varsity Sailing Team, the team was ranked consistently as one of the top three teams in the country and was fourth at sloop nationals, third at Team Racing Nationals and second at Dinghy Nationals.

## Assistant Coaches

### Ali Sharp

#### Assistant Coach

##### First season

During the 2007 spring semester, Ali Sharp served as an assistant coach at the Naval Academy.

Sharp grew up sailing single-handed dinghies at the Houston Yacht Club in Texas. She attended Tabor Academy for her final two years of high school and competed on its varsity sailing team. She graduated from St. Mary's College (Md.) in 2003. As a collegiate sailor, Sharp was a three time women's All-American.

Since graduation, Sharp has assisted the sailing teams at St. Mary's College and Loyola College in Baltimore. Sharp is a U.S. Sailing certified level one instructor and level two coach. Ali continues to fleet race dinghies and match race keel boats.

Sharp returned to Annapolis and college sailing from her hometown in Gatlinburg, Tenn., where she worked in property management and development.

### Lt. Ted Huebner, USN

#### Assistant Coach

##### First season

Lt. Ted Huebner returned to the Naval Academy in March 2007 for the end of the spring season.

Lt. Huebner is a 2002 Naval Academy graduate and before attending the Academy, grew up racing Optimists, FJs, 420s, and Lasers out of the Grosse Pointe Yacht Club. While at the Academy, Lt. Huebner raced all four years on both the Intercollegiate and Offshore sailing teams.

Following graduation he was assigned to USS RODNEY M DAVIS (FFG 60) based in Everett, Wash., and then PATROL COASTAL CREW JULIET based in San Diego, Calif., and Little Creek, Va.

Lt. Huebner has been deployed three times including twice to the Arabian Gulf. While back in the U.S., he has continued to race competitively in Washington, Virginia and Maryland.

## Mid-Atlantic Intercollegiate Sailing Association

### (MAISA) Member Schools

Christopher Newport  
Colgate  
Columbia  
Cornell  
Delaware  
Drexel  
Fordham

George Washington  
Georgetown  
Hamilton  
Hampton  
Haverford/Bryn Mawr  
Hobart & William Smith  
Loyola (Md.)

Maryland  
Old Dominion  
Pennsylvania  
Penn State  
Princeton  
Queen's (Canada)  
Rochester

Salisbury  
St. Mary's (Md.)  
Stevens Institute  
SUNY-Maritime  
Syracuse  
UMBC  
U. S. Merchant Marine Academy

U. S. Military Academy  
**U. S. Naval Academy**  
Virginia  
Vassar  
Washington (Md.)  
Webb Institute

**INTERCOLLEGIATE ROSTER****2007-08 NAVY SAILING**

<b>Name</b>	<b>Year</b>	<b>Hometown</b>	<b>Major</b>
Katherine Adler	Jr.	Rockville Center, N.Y.	History
Krysta Anthony	Sr.	Tullahoma, Tenn.	Systems Engineering
Andrea Bosch	Sr.	Belize City, Belize	Computer Sciences
Margaret Boyle	So.	Leonardtown, Md.	Mechanical Engineering
Alaina Bussel	So.	Palm City, Fla.	Oceanography
Audrey Callanan	Sr.	Laguna Niguel, Calif.	Mathematics
Alexander Campbell	Sr.	Santa Barbara, Calif.	Quantitative Economics
Christina Chance	So.	Eastham, Mass.	Naval Architecture
Michael Curran	Jr.	St. Petersburg, Fla.	English
William Fletcher	Jr.	Pensacola, Fla.	Oceanography
Ian Gill	Sr.	Norwalk, Conn.	Ocean Engineering
Mary Hesler	Jr.	Charlotte, N.C.	Mechanical Engineering
Charlotte Hill	Sr.	Miami, Fla.	Oceanography
Andrew Hotchkiss	Jr.	Riverside, Conn.	English
Trisha Kutkiewicz	Jr.	Center Moriches, N.Y.	Oceanography
James Licata	Jr.	Mequon, Wis.	Aerospace Engineering
Lindsay Magee	Sr.	Manasquan N.J.	English
Kevin McGill	Sr.	Barrington, R.I.	Naval Architecture
Tim Murphy	So.	St. Petersburg, Fla.	Systems Engineering
Claire Peterson	So.	New Market, Md.	Computer Sciences
Tina Pryne	So.	Honolulu, Hawai'i	Systems Engineering
Robert Ramirez	Sr.	Miami, Fla.	Economics
Margaret Renyolds	Sr.	Westfield, N.J.	Naval Architecture
Bryan Rigby	So.	San Diego, Calif.	Economics
Kristen Sproat	Sr.	Berwyn, Pa.	Systems Engineering
Martin Sterling	So.	Waipio, Hawai'i	Naval Architecture
Jenny Sturzbecher	So.	Redwood Valley, Calif.	Oceanography
Emily Taynor	So.	Camden, Ark.	Political Science
Bryana Tucci	So.	Cairo, Egypt	Political Science / Arabic
Andrew Vann	Jr.	Tampa, Fla.	Naval Architecture

**Head Coach:** John Vandemoer**Assistant Coaches:** Ali Sharp, Lt. Ted Huebner, USN



**KRYSTA  
ANTHONY**

Senior  
Tullahoma, Tenn.

**AS A JUNIOR:** Sailed in 11 regattas ... third at Prosser Trophy... third at Americas Trophy... third in B division at Admirals Cup ... eighth at Team Racing Nationals ... eighth in A division at Dinghy Nationals.

**AS A SOPHOMORE:** Sailed in 13 regattas ... co-winner of 26th Annual Rachelle Anne Rees Memorial Trophy for outstanding female competitor at the Sugar Bowl ... finished first in at the Team Race Challenge as a crew ... won B Division at the Washington College Women's Regatta as a crew ... won Christopher Newport 2-on-2 Regatta.

**AS A FRESHMAN:** Sailed in three regattas ... won B Division at KP Dinghy Open as a crew...finished second overall crewing in A division at the Arrigan Trophy.

**PRIOR TO NAVY:** 2004 Valedictorian of Tullahoma High School, National Honors Society member, drum major of high school marching band ... varsity letter winner in track, soccer, and cross country ... Sports Illustrated All American Teen ... lists Julie Foundy as her favorite athlete ... enjoys traveling, running, and sleeping in her free time.

**PERSONAL:** Will be battalion commander in Fall, 2007 ... majoring in systems engineering.



**ANDREA  
BOSCH**

Senior  
Belize City, Belize

**AS A JUNIOR:** Sailed in three regattas ... co-winner of 26th Annual Anne Rees Memorial Trophy for outstanding female competitor at the Sugar Bowl ... finished first in B division at Nokia Sugar Bowl as a crew ... won University of Maryland 2-on-2 Regatta as a crew ... finished first at Christopher Newport University 2-on-2 Regatta.

**AS A SOPHOMORE:** Sailed in two regattas.

**PRIOR TO NAVY:** Graduate of St. Catherine Academy ... attended one year at St. John's Junior College ... Class President ... Treasurer of School Sport Club, Canoe Club Member ... lists Rick Bateman, her Karate Instructor as a role model ... has a twin brother that also attends the Academy ... once canoed 170 miles in a four-day race.

**PERSONAL:** Daughter of Javier and Sadia Bosch ... has one sister and two brothers ... born Aug. 10, 1984 ... majoring in information technology.



**AUDREY  
CALLANAN**

Senior  
Laguna Niguel, Calif.

**AS A JUNIOR:** Sailed in six regattas ... finished fifth in A division at Charleston Spring Women's Intersectional ... won Team Race Challenge as a crew.

**AS A SOPHOMORE:** Sailed in seven regattas during fall season.

**PRIOR TO NAVY:** A 2004 graduate of Dana Hills High School ... valedictorian ... AP scholar ... enjoys reading in her free time.

**PERSONAL:** Daughter of Gerry and Judy Callanan...has one sister...born July 29, 1986...majoring in mathematics.



**ALEXANDER  
CAMPBELL**

Senior  
Santa Barbara, Calif.

**AS A JUNIOR:** 2nd at UMBC open.

**AS A SOPHOMORE:** Sailed in one regatta ... finished first skippering at the Christopher Newport University 2-on-2 Regatta.

**AS A FRESHMAN:** Sailed in six regattas ... skippered B division at ODU Spring Open to a third place finish.

**PRIOR TO NAVY:** Graduated from Dos Pueblos High School ... National Merit Finalist ... Eagle Scout ... lists craziest moment as crashing a ball claiming to be heir to Campbell Soup family.

**PERSONAL:** Son of Douglas and Regula Campbell ... has one brother ... born November 13, 1986 ... majoring in quantitative economics.



**IAN  
GILL**

Senior  
Norwalk, Conn.

**AS A JUNIOR:** Sailed in 10 regattas ... sixth at Yale Team Race ... first at Arrington Trophy.

**AS A SOPHOMORE:** Sailed in 12 regattas ... won A division at ODU Open as skipper ... finished first at CNU 2-on-2 regatta ... won B division at Arrigan Memorial ... finished first at Maryland 2-on-2 regatta

**AS A FRESHMAN:** Sailed in seven regattas ... won the Delaware Spring Open

**PRIOR TO NAVY:** A 2004 graduate of Norwalk High School ... member of National Honor Society ... sailed in Cedar Point Yacht Club ... lists juggling as talent ... was once struck by lightning while sailing.

**PERSONAL:** Son of Harrison and Patricia Gill ... has three brothers and one sister ... born Aug. 27, 1986 ... majoring in ocean engineering and Spanish ... wants to service select Navy Pilot.



**CHARLOTTE  
HILL**

Senior  
Miami, Fla.

**AS A JUNIOR:** Sailed in 20 regattas ... ICSA Women's All-American ... third at Single-Handed Nationals ... third in B division Women's Nationals ... first at B Division Atlantic Coast Championships.

**AS A SOPHOMORE:** Sailed in 19 regattas ... ICSA Women's All-American ... finalist for Quantum Women's Sailor of the year ... winner of the Fair American Intercollegiate Female MVP Award ... winner of the Class of 1916 Trophy awarded to the outstanding single-handed sailor on the Intercollegiate team ... finished first in B Division at Yale Women's Intersectional as a skipper ... represented the Naval Academy at ICSA Single-handed Nationals finishing fourth ... won B Division at Navy Spring Women's Intersectional...finished first at Dellanbaugh Trophy ... won B division at MAISA Women's Spring Dinghy Championship ... finished sixth in B Division at ICSA Women's Dinghy Championship.

**AS A FRESHMAN:** Sailed in 18 regattas ... finished fourth at MAISA Women's Singlehandeds ... skippered B Division to win MAISA Women's Fall Championship ... tied for first in B Division at Duplin Trophy ... finished ninth in B Division at ICSA Women's Dinghy Championship ... winner of the Fair American Intercollegiate Female MVP Award.  
**PRIOR TO NAVY:** 2004 graduate of Ransom Everglades High School ... member of soccer team, Key Club, and Student Government ... captain of sailing team ... helped team win team racing and fleet racing national qualifiers her junior year ... won Leiter Cup in 2003 ... member of 2001 European Opti Team ... learned to sail at Miami Yacht Club and raced out of Coral Reef Yacht Club ... biggest athletic thrill was successfully port tacking a 500-boat fleet.  
**PERSONAL:** Daughter of Mary Kennerk and Dwight Hill ... has two sisters ... born Aug. 14 1986 ... nicknamed Charlotteann ... enjoys line dancing and bull riding ... aspires to become a pirate ... majoring in oceanography.



Senior Charlotte Hill and 2007 graduate Andrea White.

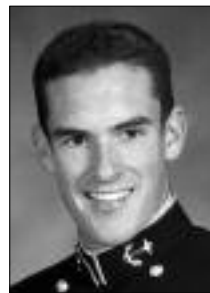


**LINDSEY**  
**MAGEE**  


---

**Senior**  
**Manasquan, N.J.**

**AS A JUNIOR:** Second at Tom Curtis Memorial.  
**AS A SOPHOMORE:** Competed in nine regattas.  
**AS A FRESHMAN:** Sailed in 12 regattas ... helped Women's team qualify for the ICSA Women's North American's and finish third overall ... crewed the B division boat to a first place at the Women's Atlantic Coast Championship ... also crewed the B division boat to a first-place finish at the Navy Fall Women's Intersectional as the Mids took third overall in Oct. 2003.  
**PRIOR TO NAVY:** A 2003 graduate of Manasquan High School ... helped swimming team to back-to-back conference titles in 2000 and 2001 ... sailed at the Toms River Yacht Club ... lists her sister Courtney as her role model.  
**PERSONAL:** Daughter of Timothy and Bonnie Magee ... born Feb. 24, 1985 ... nicknamed Clay ... majoring in English.



**KEVIN**  
**McGILL**  


---

**Senior**  
**Barrington, R.I.**

**AS A JUNIOR:** Fourth at MAISA Conference Sloop Champs ... first at European Naval Academy Keelboat Championships.  
**AS A SOPHOMORE:** Sailed in four regattas ... competed on the top sloop team in the national qualifier ... won the 60th Annual Regatta Escola Naval sailing J 24's against Naval Academies from around the world in Brazil ... winner of the Cornelius Shields Trophy for most valuable sloop sailor on the intercollegiate team.  
**AS A FRESHMAN:** Sailed in two regattas.  
**PRIOR TO NAVY:** 2004 graduate of Barrington High School ... National Honor Society member ... varsity hockey player ... sailed for Barrington Yacht Club as a junior ... favorite athlete is Michael Mullee ... likes that nothing is ever the same in sailing.  
**PERSONAL:** Son of David and Peggy McGill ... has two brothers ... born Aug. 30, 1986 ... majoring in Naval Architecture.



**DAVID**  
**PARKER**  


---

**Senior**  
**Erie, Pa.**

**AS A JUNIOR:** Sailed in 11 regattas ... won A Division at Nokia Sugar Bowl as skipper.  
**AS A SOPHOMORE:** Sailed in 13 regattas ... helped team to a first-place finish at KP Dinghy Open ... won A Division at the Delaware Spring Open ... was a valuable heavy air crew for major co-ed events.  
**PRIOR TO NAVY:** A 2002 graduate of Cathedral Prep School ... worked for AmeriCorps for one year ... sailed out of Erie Yacht Club as a junior ... lists yodeling as random talent ... enjoys marathon running.  
**PERSONAL:** Son of Mike and Diane Baughman ... has two sisters and three brothers ... born Dec. 21, 1983 ... enjoys moonlighting as a magician ... majoring in economics.



**ROBERT**  
**RAMIREZ**  


---

**Senior**  
**Miami, Fla.**

**AS A JUNIOR:** Sixth Yale Team Race ... fourth at Owen Trophy ... first at MAISA Open.  
**AS A SOPHOMORE:** Sailed in 10 regattas ... finished fourth in A division at the Arrigan Trophy ... helped team to fourth-place finish at MAISA Team Race Qualifier.  
**AS A FRESHMAN:** Sailed in nine regattas ... helped team to second-place finish at Freshman ACC's ... won B Division three weekends in a row in Spring semester.  
**PRIOR TO NAVY:** 2004 graduate of Gulliver Prep School ... likes sailing because it is such a multi-dimensional, lifelong sport ... lists Augie Diaz as his role model.  
**PERSONAL:** Son of Daniel and Cameron Ramirez ... born March 5, 1986 ... majoring in economics.

**MARGARET  
REYNOLDS****Senior**  
**Westfield, N.J.**

**AS A JUNIOR:** Sailed in 20 regattas ... first in B Division Women's Atlantic Coast Championships ... third in B division Women's Nationals ... third at Prosser Trophy ... third at America's Trophy.

**AS A SOPHOMORE:** Sailed in 15 regattas ... won B Division at Yale Women's Intersectional as a crew ... finished second at Women's ACC's in B Division ... won B Division at Navy Spring Women's Intersectional ... won B Division as a skipper at Washington College Women's Regatta ... won B Division at the Dellenbaugh Regatta ... Won B Division at MAISA Women's Spring Singhy Championship ... finished sixth in B Division and helped team to a fifth-place finish in A division at ICSA Women's Dinghy Nationals.

**AS A FRESHMAN:** Sailed in four regattas ... finished second at Washington College Women's Open skippering B division.

**PRIOR TO NAVY:** A 2004 graduate of Westfield High School ... National Honors Society member ... sailed out of Island Heights Yacht Club in New Jersey ... lists her grandfather as her role model.

**PERSONAL:** Daughter of Phil and Margarita Reynolds ... has three younger brothers ... born June 12, 1986 ... majoring in oceanography.

**KRISTEN  
SPROAT****Senior**  
**Berwyn, Pa.**

**AS A JUNIOR:** Third in A Division Harry Anderson Trophy ... third Prosser Trophy ... eighth Team Race Nationals.

**AS A SOPHOMORE:** Sailed in 17 regattas ... won A Division at Senator's Cup as a crew ... finished fourth in B Division at Thompson Trophy ... crewed on both team racing and fleet racing teams ... winner of Ann Campbell Regatta.

**AS A FRESHMAN:** Sailed in 15 regattas ... crewed in A Division at Freshman ACC's finishing second ... crewed at Co-ed ACC's finishing fifth in B Division ... helped team to second-place finish at Truxton Umsted Regatta ... sailed on top fleet racing and team racing teams ... winner of William Seamanship Most Improved Award.

**PRIOR TO NAVY:** 2004 Valedictorian of Villa Maria Academy in Malvern, Pa. ... student body president ... music honor society president ... lacrosse academic All-American ... plays the viola ... enjoys pick-up soccer and frisbee ... likes sailing because it is a sport that requires mental and physical toughness.

**PERSONAL:** Daughter of Ward and Heidi Sproat ... has two brothers ... born May 3, 1986 ... nicknamed Sproater ... majoring in systems engineering.

**KATHERINE  
ADLER****Junior**  
**Rockville Center, N.Y.**

**AS A SOPHOMORE:** Fourth at Women's Nationals ... fourth at Women's Conference Championships.

**PRIOR TO NAVY:** Member of national honor society and the French national honor society ... was in the IB (international baccalaureate) program ... varsity swimming for four years ... captain of the swim team ... all-county and all-conference awards for swimming ... varsity lax for two years (division champs junior year) ... enjoys snowboarding, surfing, body boarding and snorkeling.

**PERSONAL:** Daughter of Bob and Margaret Adler ... has two brother ... older brother, Jameson (USNA '06), sailed at Navy ... majoring in history.

**MICHAEL  
CURRAN****Junior**  
**St. Petersburg, Fla.**

**AS A SOPHOMORE:** First at UMBC Open.

**AS A FRESHMAN:** Sailed in three regattas.

**PRIOR TO NAVY:** A 2005 graduate of Shorecrest Prep School ... lists Shaun White and Terje Haakonsen as his favorite athletes ... sailed out of St. Petersburg Yacht Club ... placed fifth at Grand Prix in Laser Radials.

**PERSONAL:** Son of Tim and Nancy Curran ... has one sister ... born May 3, 1986 ... enjoys auto racing ... has his private pilots license ... majoring in oceanography.

**WILLIAM  
FLETCHER****Junior**  
**Pensacola, Fla.**

**AS A SOPHOMORE:** Fifth at Trux Intersectional in C Division ... first in B Division at ODU Open ... fifth in Admiral's Cup C Division.

**AS A FRESHMAN:** Sailed in six regattas ... sailed C Division for team all year ... finished third at MAISA Open skippering B Division.

**PRIOR TO NAVY:** A 2004 graduate of B.T. Washington High School ... likes sailing because of the versatility it requires to succeed ... sailed out of Pensacola Yacht Club as a junior.

**PERSONAL:** Son of Lynwood and Vicki Fletcher ... born October 19, 1986 ... nicknamed Mac ... majoring in oceanography.



**MARY**  
**HESLER**

Junior  
 Charlotte, N.C.

**AS A SOPHOMORE:** Fourth at Women's Nationals ... third in B Division Women's Conference Champs ... second in B Division Women's Dellenbaugh Trophy.

**AS A FRESHMAN:** Was on the Navy swimming and diving team.

**PRIOR TO NAVY:** Sailed in Rochester, N.Y. and Charlotte, N.C. ... has level one certification from U.S. Sailing.

**PERSONAL:** Daughter of Stephen and Katherine Hesler ... born Jan. 5, 1987 ... majoring in mechanical engineering.



**ANDREW**  
**HOTCHKISS**

Junior  
 Riverside, Conn.

**AS A SOPHOMORE:** Fourth in A at Hobart Fall Intersectional ... won B Division at Arrigan Memorial Regatta.

**AS A FRESHMAN:** Sailed Freshman Groundbreaker ... alternate A-Division heavy crew.

**PRIOR TO NAVY:** Grew up sailing for Riverside Yacht Club ... sailed for Brunswick School ... placed eighth at 2002 High School Nationals in B Division as a crew ... skippered A division junior and senior year.

**PERSONAL:** Enjoys skiing and music ... majoring in English.



**TRISHA**  
**KUTKIEWICZ**

Junior  
 Center Moriches, N.Y.

**AS A SOPHOMORE:** Fourth at Women's Nationals ... ninth at Dinghy Nationals ... fourth at Women's Conference Champs ... third at Prosser Trophy.

**AS A FRESHMAN:** Sailed in 12 regattas ... won Team Race Challenge as a crew ... finished second at the Dellenbaugh crewing in A Division ... won MAISA Women's Spring Championship crewing in A Division ... helped A Division to a fifth-place finish at ICSEA Women's Dinghy Nationals.

**PRIOR TO NAVY:** Graduate of Center Moriches High School ... National Honors Society member ... soccer team captain ... secretary of graduating class ... lists her brother as role due to his accomplishments and determination to succeed ... nicknamed TK ... grew up sailing at Moriches Yacht Club.

**PERSONAL:** Daughter of Ron and Sandy Kutkiewicz ... has one older brother ... born June 15, 1987 ... majoring in oceanography.



**JAMES**  
**LICATA**

Junior  
 Mequon, Wisc.

**AS A SOPHOMORE:** Second at UMBC Open ... second at MAISA spring open and Marchiando Team Race.

**AS A FRESHMAN:** Sailed in three regattas ... won A Division at the ODU Open as a crew ... finished first at the University of Maryland 2-on-2 Regatta ... winner of the LCDR Williams Seamanship Most Improved Award

**PRIOR TO NAVY:** A 2005 graduate of Homestead High School ... second in his class of 381 ... his favorite pastime is flying.

**PERSONAL:** Son of Steve and Mary Licata ... has one brother ... born November 18, 1986 ... nicknamed Jimmy Lics ... majoring in aerospace engineering.



**ANDREW**  
**VANN**

Junior  
 Tampa, Fla.

**AS A SOPHOMORE:** Third at Prosser Trophy ... third at Americas Trophy ... third in B division at Admirals cup ... eighth at Team Racing Nationals ... eighth in A Division at Dinghy Nationals.

**AS A FRESHMAN:** Sailed in 10 regattas ... skippered both team racing and fleet racing ... finished eighth in A division at the America's Trophy.

**PRIOR TO NAVY:** Graduate of H.B. Plant High School ... sailing team captain ... National Honor Society member ... played lacrosse and ran cross country in high school ... member of Delphi Service Club and Latin Club ... lists Steve Prefontaine as his favorite athlete ... sailed for Davis Island Yacht Club as a junior.

**PERSONAL:** Son of David and Cynthia Vann ... has two younger brothers ... born December 28, 1986 ... nicknamed Clifford ... majoring in Naval Architecture.



**MARGARET**  
**BOYLE**

Sophomore  
 Leonardtown, Md.

**AS A FRESHMAN:** Won Arrigan Memorial Regatta as B division crew ... sailed in four regattas.

**PRIOR TO NAVY:** Sophomore and senior class president in high school ... played varsity soccer and lacrosse ... competed nationally and internationally in Scottish Highland dancing ... member of National Honor Society.

**PERSONAL:** Daughter of Dennis and Mary Boyle ... born on August 24th, 1988 ... nicknamed Maggie ... majoring in mechanical engineering ... enjoys dancing and reading.

**ALAINA  
BUSSELL**

Sophomore  
Palm City, Fla.

**AS A FRESHMAN:** Competed at Laser Midwinters East ... seventh at Navy Women's Fall ... ninth at Faye Bennet.

**PRIOR TO NAVY:** Traveled to Croatia and Holland sailing Optis ... placed ninth at 2005 Leiter Cup.

**PERSONAL:** Majoring in oceanography.

**CHRISTINA  
CHANCE**

Sophomore  
Eastham, Mass.

**AS A FRESHMAN:** Ninth at Dinghy Nationals ... third at Americas Trophy.

**PRIOR TO NAVY:** Gymnast for 10 years ... track and cross country team captain ... National Honor Society member.

**PERSONAL:** Majoring in Naval Architecture.

**TIM  
MURPHY**

Sophomore  
St. Petersburg, Fla.

**AS A FRESHMAN:** Second at MAISA Spring Open ... competed in Marchiando Team Race ... first at MAISA Fall Open.

**PRIOR TO NAVY:** Sailed at high school nationals twice ... placed fourth at high school team racing nationals ... placed 23rd at Orange Bowl in 420's.

**PERSONAL:** Enjoys checkers and badminton ... nicknamed Murph ... majoring in systems engineering.

**CLAIRE  
PETERSON**

Sophomore  
New Market, Md.

**AS A FRESHMAN:** Third at Hobart Fall Intersectional ... second at MAISA Spring Open.

**PRIOR TO NAVY:** Enjoys running.

**PERSONAL:** Majoring in computer science.

**TINA  
PRYNE**

Sophomore  
Honolulu, Hawai'i

**AS A FRESHMAN:** Ninth at Dinghy Nationals ... eighth at Team Racing Nationals ... third at Prosser Trophy ... third at Americas Trophy ... third at Admirals Cup.

**PRIOR TO NAVY:** MVP and captain of high school sailing team ... member of student council ... member of National Honor Society ... attempts to surf and kite board.

**PERSONAL:** Majoring in systems engineering.

**BRYAN  
RIGBY**

Sophomore  
San Diego, Calif.

**AS A FRESHMAN:** Ninth at Dinghy Nationals ... eighth at Team Racing Nationals ... third at Prosser Trophy ... third at Americas Trophy ... third at Admirals Cup.

**PRIOR TO NAVY:** Sailed for Point Loma high school ... Captain of sailing team ... grew up sailing for Southwestern Yacht Club

**PERSONAL:** Son of Joe Rigby ... majoring in economics.

**MARTIN  
STERLING**

Sophomore  
Waipio, Hawai'i

**AS A FRESHMAN:** Ninth at Dinghy Nationals ... third at Prosser Trophy ... third at Americas Trophy ... third at Truxtun Umstead in D Division.

**PRIOR TO NAVY:** Four years of high school sailing ... high school sailing team captain ... four-time El toro North American champion ... 2003 420 National Champion.

**PERSONAL:** Nicknamed Marty ... majoring in Naval Architecture.

**JENNY  
STURZBACHER**

Sophomore  
Redwood Valley, Calif.

**AS A FRESHMAN:** Ninth at Dinghy Nationals ... fourth at Southern New England Team Race.

**PRIOR TO NAVY:** High school varsity track captain and MVP.

**PERSONAL:** Nicknamed Sturs ... majoring in oceanography.



**EMILY**  
**TAYNOR**

Sophomore  
 Camden, Ark.

**AS A FRESHMAN:** Won Arrigan Memorial Regatta ... third at Owen Trophy crewing in A Division ... won the LCDR Robert S. Williams Seamanship award.

**PRIOR TO NAVY:** Member of high school basketball and volleyball teams ... student council ... enjoys reading and horseback riding ... sailed at NAPS.

**PERSONAL:** Nicknamed Em ... majoring in political science.



**BRYANA**  
**TUCCI**

Sophomore  
 Egypt

**AS A FRESHMAN:** Fourth at MAISA clinic regatta.

**PRIOR TO NAVY:** High school varsity softball and volleyball ... model UN ... Girl Scouts ... member of National Honor Society ... an active Thespian.

**PERSONAL:** Nicknamed Brie ... double majoring in political science and Arabic.



Senior Krysta Anthony

**Naval Academy Facts**

- Education valued at \$275,000
- The Navy pays tuition, room and board, medical and dental, and provides active-duty military benefits
- Midshipmen receive a salary (\$699/month) used for laundry, barber, activities, yearbook, clothing, etc.
- 30 days paid vacation plus holidays per year
- 18 diverse majors
- Trident Scholar and Voluntary Graduate Education Programs
- Naval Academy Faculty comprised of 50% Civilian and 50% Military
- Student-Faculty ratio is less than 8-to-1 (ranked as one of the most accessible)
- Individual lecture halls and small labs

Find more info about the Naval Academy by visiting our website:

<http://www.usna.edu/>

Find more info about the Naval Academy Admissions by visiting our website:

<http://www.usna.edu/Admissions/>

**Naval Academy Sailing Team Facts**

- Navy Academy Sailing Program-Fleets
- 136 Lasers
- 22 FJ's
- 22 420's
- 3 Larks
- 3 Inter Clubs
- 3 Vanguard 15's
- 12 J24's
- 20 Colgate 26's
- 20 Navy 44 Foot Sloops
- Several Grand Prix Sloop Offshore Racers
- 71 All-America Coed Sailor Awards
- 36 All-America Crew Awards
- 17 All-America Women's Awards
- 4 Collegiate Sailor of the Year
- Collegiate National Championships:
- Dinghy and Women's Champions six times each
- Team Racing and Sloop Champions six times each
- Singlehanded Champions Seven times
- Fowle Trophy - Best Overall Collegiate Team Performance, in which Navy has won 10 times! More than any other school in the nation!
- Multiple Olympic Campaigns in the Laser, Finn, 470, 49er, & Soling Classes

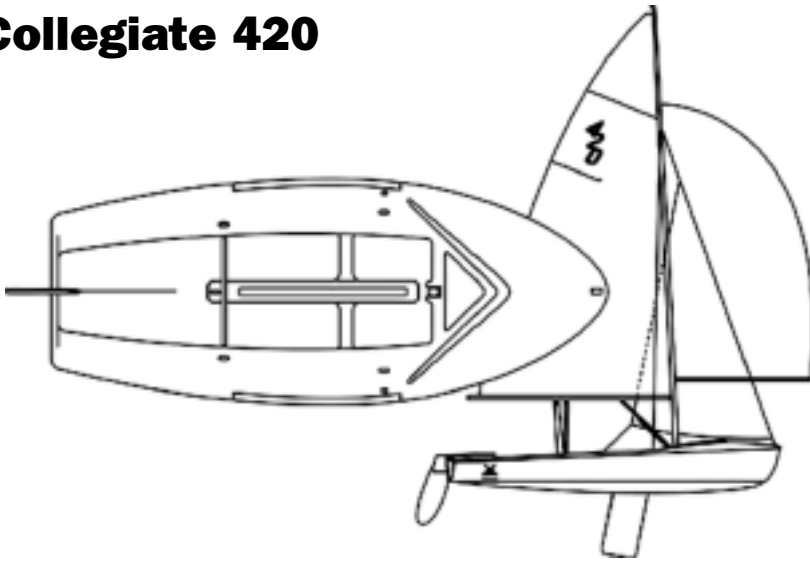
Find more info about the Navy Sailing Programs by visiting our website:

<http://www.usna.edu/SailingTeam/>

Find more info about all of Navy athletics:

<http://www.navyports.com>

**Collegiate 420**



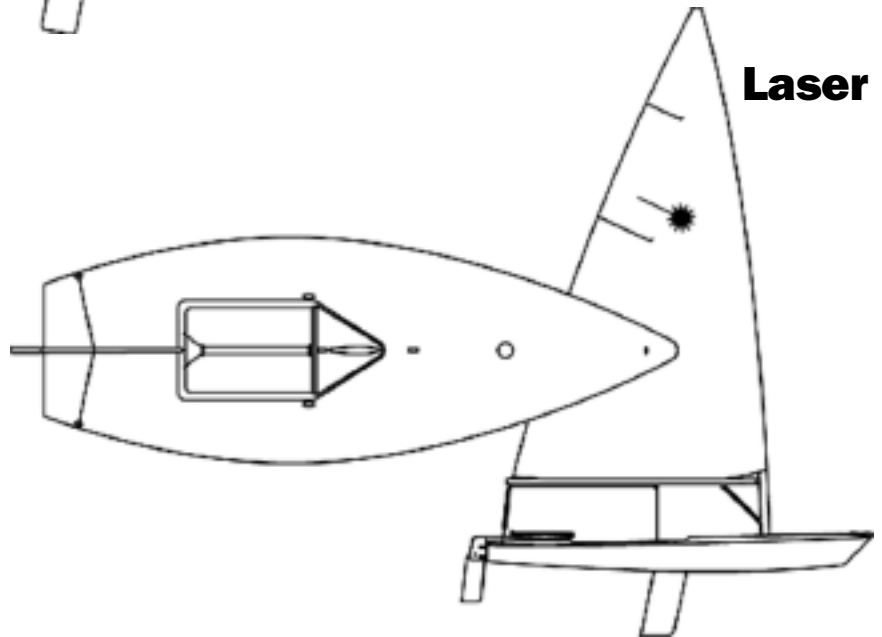
**SPECS**  
**LOA:** 13' 9"  
**Beam:** 5' 5"  
**Sail Area:** main and jib - 110 square feet  
**Weight:** 260 pounds (fully rigged)

The Collegiate 420 was designed and built in response to the growing need for a more durable, high-performance, double-handed racing dinghy that could stand up to the rigors of club and collegiate programs. Ideal for crews ranging in size from 220-310 pounds.

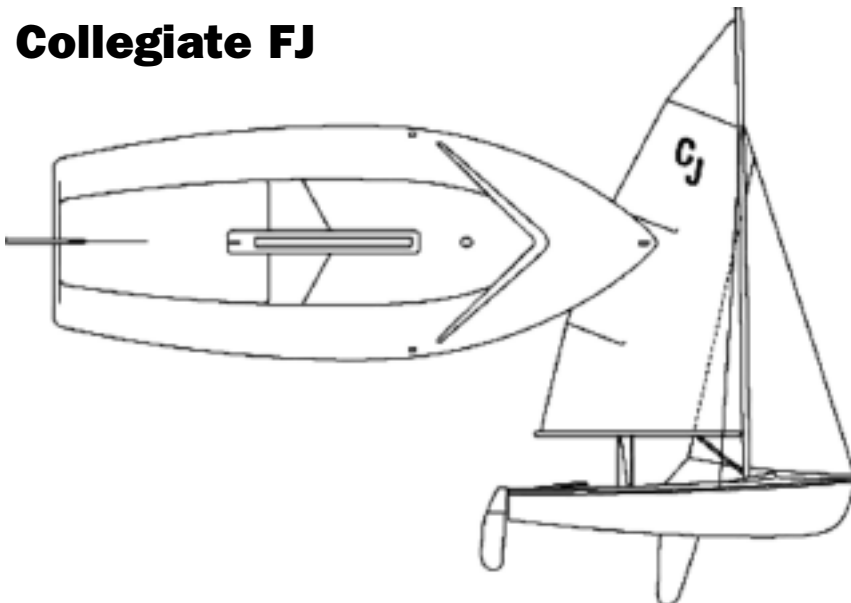
**SPECS**  
**LOA:** 13' 10.5"  
**Beam:** 4' 6"  
**Sail Area:** 76 square feet  
**Mast Height:** 20' 1"  
**Hull Weight:** 130 pounds  
**Designer:** Bruce Kirby

The Laser is designed for simplicity. The hull shape, blades and rig combine to create the ultimate sailing machine. Every Laser in the world is identical, and strict class rules ensure that every boat is identical. The Laser is a challenging boat that rewards athleticism, subtle steering and trimming techniques as well as tactical excellence.

**Laser**



**Collegiate FJ**



**SPECS**  
**LOA:** 13' 3"  
**Beam:** 4' 11"  
**Sail Area:** Main and Jib @ 100 square feet  
**Rigged Weight:** 255 pounds

The Collegiate FJ is sailed by more collegiate sailing teams than any other doublehanded sailboat. The simple layout serves as a fantastic teaching aid to high school and collegiate sailors as well. It requires sailors to become ultra sensitive to small changes in halyard tension, heel angle, mainsheet trim, and jib sheet trim. The Collegiate FJ deep rounded hull shape allows for easy maneuverability, which also encourages sailors to hone their boathandling skills. This ease in handling that the Collegiate FJ allows also makes it an excellent boat for team racing.

**Navy Collegiate All-America Sailors**

Robert D. Fischl	1967
R. DuBose Joslin	1969
Daniel M. Rugg	1969, 1970
William L. Campbell	1971, 1972, 1973
Douglas W. Hart	1976
Paul A. LaBossiere	1977
Garland P. Wright	1977
Gerard T. Coleman	1978, 1979, 1980
Timothy J. McGee	1978
Paul M. Van Cleve	1978, 1979
Jasper Craig	1979, 1980
Robert K. Anoll	1980, 1981
John G. Speer	1980
Mary Brigden	1981
Nick Madigan	1981
Robert B. Brown	1983
Harold L. Gilreath, Jr.	1983, 1984
Brian Ledbetter	1983, 1984, 1985
Rick Merriman	1983, 1984, 1985
Robert E. Hallawell	1985, 1986, 1987
George Slook	1986
Alexander C. Cutler	1986, 1987, 1988
Edward A. Eckert	1987
Per Lovfald	1988, 1989
Keith B. Davids	1988, 1989, 1990
Charles Pucciariello	1989
Bradley M. Rodi	1990, 1991, 1992, 1993
William B. Graves	1991, 1992
Susan S. Minton	1991, 1992
Michael G. O'Bryan	1992, 1993
David G. Fagen, III	1993, 1994
Eric Naranjo	1994
Ryan Cox	1994, 1995
R.D. Burley	1995, 1996
William C. Stout	1996, 1997, 1998
Dean R. Balcirak	1997, 1998
Eugene Schmitt	1999
Travis Weber	2001, 2002

**Navy Collegiate All-America Women's Sailors**

(First Awarded in 1987)

Susan Mitchell	1987
Gretchen Stage	1987, 1988
Cynthia Williams	1989, 1991
Susie Minton	1989, 1990, 1991, 1992
Mallory Mestayer	1994, 1995, 1996, 1997
Julie Younger	1995, 1996, 1997, 1998
<b>Charlotte Hill</b>	<b>2006, 2007</b>
<b>Katie Whitman</b>	<b>2006, 2007</b>

**Hall of Fame**

The College Sailing Hall of Fame recognizes sailing achievement prior to the establishment of All-America honors in 1967 and Women's All-America honors in 1987, or contribution to intercollegiate sailing. The following are those Naval Academy graduates that have been so honored and named to the Intercollegiate Hall of Fame:

1970	James P. Googe Jr. '57; Charles R. Ulmer '61
1971	David C. Minton III '56, Richard I. Tillman '58
1994	Kathryn Karlson '80
1995	Pamela Corwin '83, Deborah Dunbar '82
1998	Adm. Robert W. McNitt '38

**Navy Collegiate Honorable Mention All-America Sailors**

Mark Miller	1978
Mary Brigden	1980
Mark Converse	1981, 1982
Debbie Dunbar	1981
Robbie Brown	1982
Ted Mortensen	1982
Dixon Smith	1982
Pam Corwin	1983
Scott Harrison	1985
George Slook	1985
Keith Davids	1987
Ted Williams	1987
Jay Cavalieri	1989
David Blackman	1990
Mike Varney	1990
Tim Wachendorfer	1991
David Fagen	1992
Ryan Cox	1993
Eric Naranjo	1993
Will Stout	1995
Walter H. Allman	1996, 1997
Grant Garcia	1999
Wade Tornyo	1999, 2000
Alexa Bestoso	2004

**Navy Sailing All-America Crew**

Cheri Kerr	1983, 1984
Melanie Kirby	1983
Allie Coetzee	1985
Emily Almonte	1986, 1987, 1988
Jamie Fontanella	1986
Yvette Gonzalez	1987, 1989
Sally Chamberlain	1988, 1989
Shane Baldino	1990, 1991
Julie Kohl	1990, 1991
Jeri Lea Smalley	1991
Jennifer Jones	1992
Reid McLaughlin	1992
Heather Keane	1993, 1994
W. Paul Kenney	1993
Akane Saunders	1993
Melissa Jackson	1994
Blanca Funes	1994, 1995
Jessica Danluck	1995, 1996, 1997
Erica Muesler	1995, 1996, 1997
(Won Robert H. Hobbs Sportsmanship Trophy)	
Susan Olivier	1998
Maria Alsina	1999
Missy Carter	2000
Emilia Spencer	2002
Andrea White	2006

# OFFSHORE OUTLOOK

## 2007-08 NAVY SAILING

The co-ed varsity offshore sailing team (VOST) practices daily during the fall and spring seasons aboard Navy 26's, Navy 44 Sloops and a variety of donated boats with competitions on weekends in both intercollegiate and civilian races. During the summer, VOST competes in offshore races along the East Coast, to Bermuda, Halifax, Nova Scotia and occasionally on the Great Lakes as part of its Professional Development training program. VOST members also compete in special events representing the Naval Academy both domestically and internationally.

The fall season is geared toward Intercollegiate one design racing with the team contending for the Shields Trophy (Championship for Service Academy Teams), the McMillan Cup (Intercollegiate Big Boat East Coast Championship) and the Kennedy Cup ((Intercollegiate Big Boat National Championship) as well as the US Sailing Offshore Championship for the Lloyd Phoenix Trophy all of which are hosted at USNA aboard Navy 44 Sloops.

Additional fall regattas include the Storm Trysail Club Intercollegiate Regatta in Larchmont, N.Y., the South American Regata Escola Naval in Rio de Janeiro, the IRC East Coast Championships and the J105 North American Championships which are sailed aboard donated boats.

Navy has the largest offshore training fleet in the United States and plays host to most of intercollegiate sailing's big boat regattas. In 2005, VOST had their most successful season in the history of the Academy winning every major regatta they sailed, including the Kennedy Cup, McMillan Trophy, Lloyd Phoenix US Sailing Offshore National Championship and the Intrepid Trophy. The fall of 2006 was also an excellent season with a first in the McMillan Cup plus second place in the Newport to Bermuda Race and Onion Patch Ocean Race Series. The 2007 season got off to a great start with two Midshipman crews taking first and second overall in the Ft. Lauderdale to Key West Ocean Race in January.

Offshore sailing serves as the perfect platform for team building, leadership and seamanship skills including navigation, strategy, resource management, vessel maintenance, weather and tactics. The Midshipmen sail the boats, do the planning and make the decisions. While many members of the team enter



the Academy with no sailing experience, they typically graduate with a high degree of skill, maturity, self-confidence and respect for the sea as well as skills that will carry forward in their naval careers that comes from competing as part of a small crew in the open ocean.

The Navy 26' fleet is used by the Junior Varsity Team to train the incoming Plebe class in sailing and racing techniques in preparation for their move to the larger offshore boats. The '26 platform also provides an excellent opportunity for third-class team members to gain valuable leadership experience serving as skippers and coaches for the Plebes during the fall. These skippers are selected as outstanding performers of their class and are often fast tracked into positions of responsibility when they move to the offshore boats. The junior varsity team competes in local regattas, intercollegiate regattas and an intra-squad championship.





## Head Coach Jahn Tihansky

### Third Year at Navy

Jahn Tihansky enters his third year as the varsity offshore head coach after many successful years of racing and being on the water his entire life. He grew up sailing on Tampa Bay out of the Davis Island Yacht Club. His early days were spent knocking around on a home-built Optimist pram followed by a Sunfish and then a Laser.

He began crewing on MORC-sized boats at age 13 and within a few years was working summers in a sail loft and rigging shop. He became a full time sailmaker working first with Johnson Sails and then Hood Sails. In 1981, he bought the first of three J24s he has owned and campaigned it extensively throughout Florida, winning the district championships on multiple occasions and finishing 13th in his first Midwinter Championships in 1982. He continued actively sailing J24s through 1986, skippering at two World Championships and crewing at another. His position as a sail maker provided an entry into big-boat sailing and he competed in far-flung regattas such as Block Island Race Week, the MORC Internationals and his first of many SORCs in 1981.

In 1984, at age 22, he opened his own franchise of Sobstad Sails in Tampa, Fla., and spent most of his on-water time sailing with customers. In 1987, he

married his wife, Patricia, and moved to Connecticut to work at the headquarters of Sobstad. While in New England, he was part of the winning team at the 1987 J35 North Americans. The following year, he relocated to Annapolis doing a short stint as a yacht broker followed by four years working with Larry Leonard's Sobstad (now Quantum) Sails. Working for Leonard in Annapolis opened the door to grand prix big-boat sailing opportunities including the Corum Japan Cup, Kenwood Cup, Key West Race Week and 50-foot regattas with some of the world's top sailors.

In 1993, Jahn accepted the job as manager of the newly opened J World Sailing School franchise in Annapolis. Over the following winter, he acquired ownership of the company and has managed it up to the present. While running the school, Jahn developed numerous specialized training programs including regatta competition with students making up the crew in events such as Key West Race Week, Heineken Regatta in St. Martin, SORC, Chesapeake Bay's Screwpile Regatta and the Ft. Lauderdale to Key West Race. His teams often finished in the money and have won a few of these events.

More recently, he bought into a 505 which he and his partner have been racing fairly actively including the 2004 world championships in Santa Cruz, Calif. Jahn holds a 50-ton Master Coast Guard license, is a US Sailing certified instructor trainer and also has his FAA private pilot's license. He and his wife reside in the West River area just south of Annapolis.

## Assistant Coaches

### Pete Carrico

#### Assistant Coach

Pete Carrico was named assistant coach of the offshore sailing team in the summer of 2000, although he has been involved with the Midshipmen program since the 1980's.

Carrico served as a Naval Station sailcraft rigger before being promoted to sailcraft operator in 1990, where he supervised the maintenance of the offshore sailing team fleet.

A lecturer on NAVY 44 rigging and NAVY 44 Mechanical Systems for the past eight years, Carrico also has 37 years of sailing experience with numerous grand-prix regattas and major offshore races as bowman, trimmer, watch captain and crew boss.

He also has served as the dinghy team member, captain and commodore at St. Mary's College, 1977-80.

### Lt. Joe McGettigan

#### Operations Officer

Lt. Joe McGettigan is in his first season as Operations Officer for offshore sailing. He is a 2003 graduate, and while at the Academy sailed on the offshore team for four years on a variety of boats, competing in the 2001 Around Long Island Race, 2001 America's Cup Jubilee and the 2002 Newport Bermuda Race. After graduation he was assigned to the USS SHOUP (DDG-86) based in Everett, Wash., and then served as navigator onboard the USS TRENTON (LPD-14) in Norfolk, Va., completing three deployments all over the world. Since graduating he has continued to race competitively in Washington, Virginia, and Annapolis.

# OFFSHORE ROSTER

## 2007-08 NAVY SAILING

Name	Year	Hometown	Major
Alisa Albrecht	So.	Ohio, Ill.	Aerospace Engineering
Will Arnest	Jr.	Honolulu, Hawai'i	International Relations
Terence Bennett	So.	Boca Raton, Fla.	Economics
Nick Bernard	So.	Birmingham, Ala.	Mechanical Engineering
Kathrine Besser	Jr.	Chicago, Ill.	Quantitative Economics
Owen Brooks	Jr.	Amityville, N.Y.	Naval Architecture
Kellen Browne	Jr.	Fernandina, Fla.	Electrical Engineering
Maile Cornish	Jr.	Arlington, Va.	Systems Engineering
Kenneth Endicott	So.	Greenville, S.C.	Aerospace Engineering
Ryan England	Sr.	New Bedford, Mass.	Aerospace Engineering
Zane Fayos	So.	Syracuse, N.Y.	Chemistry
Alex Fletcher	So.	State College, Pa.	Naval Architecture
James Foss	Sr.	Gulf Breeze, Fla.	Ocean Engineering
Noah Gray	So.	Bend, Ore.	Systems Engineering
Christopher Hamilton	Sr.	Tampa, Fla.	Political Science
Matt Hamlet	Jr.	Baldwinsville, N.Y.	Systems and Weapons Engineering
Halford Haskell	Jr.	Georgetown, Texas	Physics
Chester Hewitt	Jr.	Dallas, Texas	Systems Engineering
Joshua Hinshaw	So.	Medina, Ohio	Political Science
Sarah Horn	Sr.	Milwaukee, Wis.	Political Science
Elizabeth Hudson	So.	Plymouth, Mass.	Systems Engineering
Wes Jahraus	So.	Hilo, Hawai'i	Chemistry
Scott Jones	So.	Dallas, Texas	Aerospace Engineering
Timothy Keily	Jr.	East Granby, Conn.	Naval Architecture
Robert King	So.	Hudson, Ohio	History
James Lawsing	Sr.	Castine, Maine	Political Science
Rachel Lessard	So.	Newburyport, Mass.	Arabic
Matthew Libby	So.	Scarborough, Maine	Economics
Paul Mallory	So.	Tomball, Texas	Naval Architecture
Jason Mazzoni	So.	Durham, N.C.	Naval Architecture
Mark McClure	Sr.	Houston, Texas	Ocean Engineering
Andrew McFarland	So.	Belleville, Ill.	Mechanical Engineering
Josh McMinn	Jr.	Crockett, Texas	Ocean Engineering
Michael Minkoff	Jr.	St. Petersburg, Fla.	Systems Engineering
Tim Nasta	So.	Ft. Lauderdale, Fla.	Mechanical Engineering
Caitlin Ness	So.	Friday Harbor, Wash.	Naval Architecture
Christopher Nicolet	Jr.	Lakeside, Ariz.	English
Thomas Oberdorf	Jr.	Haverford, Pa.	Ocean Engineering
Elliot Page	Jr.	Chelmsford, Mass.	Electrical Engineering
Mark Picinich	Jr.	Palisades Park, N.J.	Aeronautical Engineering
Andrew Poulin	Jr.	Boxborough, Mass.	International Relations
Matt Recker (Captain)	Sr.	Fallbrook, Calif.	Mechanical Engineering
Matthew Roberts	So.	Broomfield, Colo.	Aerospace Engineering

Name	Year	Hometown	Major
Cullen Shaughnessy	Sr.	Marco Island, Fla.	Economics
Corey Sheeron	So.	Long Beach, N.Y.	English
Nicholas Skaperdas	Jr.	Richmond, Va.	Naval Architecture
Clay Steele	So.	Beaufort, S.C.	Chemistry
Tyler Struzinski	Sr.	Seabrook, Texas	Chemistry
Austin Van Olst	So.	Chantilly, Va.	Aerospace Engineering
Riley Walls	Jr.	Houston, Texas	Political Science

**Head Coach:** Jahn Tihansky

**Assistant Coaches:** Pete Carrico, Lt. Joe McGettigan, USN

## 2007 Fall Schedule

Date	Race	Location
<b>Sept. 1-3</b>	<b>CBYRA Raceweek</b>	<b>Annapolis, Md.</b>
<b>Sept. 8</b>	<b>Hospice Cup Regatta</b>	<b>Annapolis, Md.</b>
Sept. 15	NASS Race to Oxford	Oxford, Md.
Sept. 15	Shields Trophy Regatta	Chesapeake Bay
Sept. 16	Hammond Memorial Race to Annapolis	Oxford, Md.
Oct. 5-12	Regata Escola Naval	Rio de Janeiro, Brazil
<b>Oct. 6-7</b>	<b>Annapolis Yacht Club Fall Series #1</b>	<b>Annapolis, Md.</b>
Oct. 6-7	Storm Trysail Intercollegiate Regatta	Larchmont, N.Y.
<b>Oct. 13-14</b>	<b>Annapolis Yacht Club Fall Series #2</b>	<b>Annapolis, Md.</b>
<b>Oct. 20-21</b>	<b>Annapolis Yacht Club Fall Series #3</b>	<b>Annapolis, Md.</b>
Oct. 20-21	MacMillan Cup Regatta	Chesapeake Bay
Oct. 26-28	U.S. Sailing Offshore Championship	Chesapeake Bay
Oct. 31 - Nov. 4	J/105 North American Championships	Chesapeake Bay
<b>Nov. 2-4</b>	<b>IRC Championships</b>	<b>Annapolis, Md.</b>
Nov. 2-4	Kennedy Cup	Chesapeake Bay



**RYAN  
ENGLAND****Senior**  
**New Bedford, Mass.**

**AT NAVY:** England has prior offshore sailing experience as skipper of the 92' schooner "Tabor Boy." Last summer, England was the navigator of "American Promise" for the Newport-Bermuda Race. Last fall, he served as VOST foredeck and trimmer aboard a Navy 44 and this summer was skipper of "American Promise" for the Annapolis-Newport Race as well as the Marion-Bermuda Race. He was awarded the Naval Academy Trophy as well as the Bartram Trophy for he and his crew's performance in the Marion-Bermuda Race.

**PERSONAL:** Son of Debbie James ... graduated high school in 2004 from Tabor Academy in Marion, Mass. ... majoring in Aerospace Engineering ... hopes to service select naval aviation upon graduating in May.

**JAMES  
FOSS****Senior**  
**Gulf Breeze, Fla.**

**AT NAVY:** Had some sailing experience prior to attending the Naval Academy. He has been a member of the Offshore Sailing team since plebe year. He most recently served as XO aboard American Promise last summer, competing in both the Annapolis to Newport Race and Marion to Bermuda Race. He has also competed in the Ft. Lauderdale to Key West Race and Newport to Bermuda Race, as well as two seasons of racing on the Chesapeake Bay.

**PERSONAL:** Graduated from Gulf Breeze High School ... son of Jim Foss and Katharine Knight ... majoring in ocean engineering and hopes to service select Naval Aviation.

**CHRISTOPHER  
HAMILTON****Senior**  
**Tampa, Fla.**

**AT NAVY:** Hamilton has been racing sailboats for over a decade, growing up racing on Tampa Bay in multiple dinghies and small keel boats. At Navy, Hamilton served as the skipper of the Farr 53 "Tomcat" for Annapolis-Newport Race, NYIC Annual Regatta, and Block Island Race Week. Finished with top Academy boat honors in BI Race Week. He also sailed as tactician onboard 66-footer "Zaraffa" during the Solomons Island Race and the Around Long Island Race. During his time on the team, Hamilton has served as tactician aboard Farr 47 "Columbia," tactician aboard Taylor 49 "Polaris," tactician aboard "Swift," participated in two Bermuda Races, been a member of the winning Intrepid Cup crew, and sailed for Navy in many other regattas of note.

**PERSONAL:** Graduated from Tampa Jesuit High School ... son of Fred and Nancy Hamilton ... majoring in political science.

**SARAH  
HORN****Senior**  
**Milwaukee, Wis.**

**AT NAVY:** Horn had minimal sailing experience prior to coming to the Naval Academy, but has since spent three seasons with the VOST program. In addition to numerous Chesapeake regattas, she participated in the 2005 Marion to Bermuda Race, 2006 Newport to Bermuda Race, 2006 Student Yachting World Cup (Lorient, France), and 2007 Ft. Lauderdale to Key West Race. Last summer, she served as XO aboard "Tomcat" for New York Yacht Club's Annual Regatta and Block Island Race Week.

**PERSONAL:** Graduated from Whitefish Bay High School ... daughter of Susan and Andrew Horn ... majoring in political science and plans to service select Navy Pilot.

**JAMES  
LAWSING****Senior**  
**Castine, Maine**

**AT NAVY:** Lawsing grew up sailing on the coast of Maine including four years of high school 420 racing. He started out on VOST as mastman aboard Blue Angel, participated in the Marion-Bermuda Race in the summer of 2005, he served as main trimmer aboard the J-105 Allegiance. As a junior, he served as a crew member aboard American Promise during the 2006 Newport-Bermuda Race and was the skipper of NA-12 Vigilant and served on board the J-105 Dreadnaught during the 2007 Ft. Lauderdale-Key West Race. Recently he skippered the Taylor 49, Polaris.

**PERSONAL:** Graduated from George Stevens Academy ... son of Jim and Lisa Lawsing ... majoring in honors history.

**MARK  
McCLURE****Senior**  
**Houston, Texas**

**AT NAVY:** McClure grew up in a sailing family, exploring the waters of the Gulf of Mexico to the North Sea and the fjords of Norway. Joining the Varsity program he has sailed in various regattas with different roles on different boats ranging from 22 - 60 feet. Over the last summer, Mark was the skipper of Swift sailing her in distance and buoy races.

**PERSONAL:** Graduated from St. John's School ... son of Barry and Karen McClure ... majoring in ocean engineering.



**MATT**  
**RECKER**

**Senior • Team Captain**  
**Fallbrook, Calif.**

**AT NAVY:** Sailed on his parents' Ericson 39 prior to coming to the Naval Academy. Served as skipper and helmsman of the Reichel-Pugh 66' Zaraffa in the Solomon's Island Race and Around Long Island Regatta in summer of 2007. Was a headsail trimmer on the J/105 Allegiance in fall of 2006, and a main trimmer on NA-11 Swift in fall of 2005. Has competed in Key West Race Week, the Newport to Bermuda Race, the Marblehead to Halifax Ocean Race, and the Student Yachting World Cup in France.

**PERSONAL:** Graduated from Fallbrook High School ... son of Captains Dennis and Barbara Recker ... majoring in mechanical engineering with a Spanish minor.



**CULLEN**  
**SHAUGHNESSY**

**Senior**  
**Marco Island, Fla.**

**AT NAVY:** He began sailing Optimist dinghies at the age of seven and moved on to Lasers and Club 420s competing in both high school and other junior sailing events. Last summer, he served as Helmsman aboard Swift in the Newport to Bermuda Race and skippered a J-105 and a Mumm 30 in the fall. His crew successfully competed in the Student Yachting World Cup in Lorient, France, earning a fifth-place finish. This summer, he was the XO on "Polaris" for the Annapolis to Newport Race, The New York Yacht Club Annual Regatta and Block Island Race Week.

**PERSONAL:** Graduated from Community School of Naples.... son of Mark and Sue Shaughnessy ... majoring in economics.



**TYLER**  
**STRUZINSKI**

**Senior**  
**Seabrook, Texas**

**AT NAVY:** Struzinski had no sailing experience prior to coming to the Naval Academy. His position last summer was navigator aboard "Patriot" for the 2006 Newport to Bermuda Race. Last fall, he served as a jib and spinnaker trimmer aboard a Navy 44, and this summer was the engineer and a trimmer aboard "American Promise" for the Marion to Bermuda Race.

**PERSONAL:** Graduated from St. Andrew's School ... son of Robert and Penny Struzinski ... majoring in chemistry.



**WILL**  
**ARNEST**

**Junior**  
**Honolulu, Hawai'i**

**AT NAVY:** Sailed offshore boats for five years before coming to the Naval Academy. His position in the summer of 2006 was as Mainsail Trimmer aboard Farr 40 SEAWOLF for New York Yacht Club Race Week and Around Long Island Race. Last fall, he served as mastman aboard NA-11 Swift as part of the winning MacMillan Cup team. This past summer, he served as Mainsail Trimmer aboard Farr 53 TOMCAT for the Annapolis-Newport Race and Block Island Race Week.



**KATHERINE**  
**BESSER**

**Junior**  
**Chicago, Ill.**

**AT NAVY:** Besser had no sailing experience prior to coming to the Naval Academy. Her position last summer was strings aboard "Flirt" for New York Yacht Club's Race Week and the Around Long Island Race. Last Fall, she served as a JVOST skipper and this summer was a trimmer aboard "Tomcat" for New York Yacht Club's Annual Regatta and Block Island Race Week.

**PERSONAL:** Graduated from St. Ignatius College Prep ... daughter of Peter and Patty Besser ... majoring in quantitative economics.



**OWEN**  
**BROOKS**

**Junior**  
**Amityville, N.Y.**

**AT NAVY:** Brooks grew up sailing on the Great South Bay of Long Island. The majority of his sailing experience at Navy has been on the bow crew. Owen worked the pit last summer (2006) aboard "Sea Wolf" for New York Yacht Club's Race Week and the Around Long Island Regatta. The following fall, he was on the bow team for the Macmillan and Kennedy Cups. This past summer Owen was the mast-man aboard "Zaraffa" for the Solomon's Island Race, Around Long Island Regatta, and The Governor's Cup.

**PERSONAL:** Graduated from Amityville Memorial High School ... son of Owen and Margaret Brooks ... majoring in Naval Architecture.

**KELLEN  
BROWNE**

Junior  
Clearwater, Fla.

**AT NAVY:** Grew up in Fernandina Beach, Fla., sailing Optimist Dinghies and a Fireball but did not take up racing until coming to the Academy. Played baseball and ice hockey throughout high school. Has raced in the Spirit Rider Regatta in Long Island, N.Y. winning top academy boat, 2006 Newport-Bermuda Race aboard Patriot as a trimmer, 2007 Annapolis-Newport/NYYC Annual Regatta/Block Island Race week on Polaris as pitman and Navigator. Fall 2007 as skipper of NA-11 Swift. Was a JV skipper last fall.

**MAILE  
CORNISH**

Junior  
Crowley, Texas

**AT NAVY:** Learned to sail at the Naval Academy aboard Colgate 26's. Raced on Patriot in the Centennial Newport to Bermuda race. Served as trimmer on J-105 Dreadnought and American Promise for the 2006-2007 season.

**PERSONAL:** Graduate of James Bowie High School ... daughter of Bryan and Rebecca Cornish ... majoring in systems engineering.

**MATTHEW  
HAMLET**

Junior  
Baldwinsville, N.Y.

**AT NAVY:** Hamlet raced with the Cross Lake Yacht Club, in Central New York, prior to coming to the Naval Academy. His freshman year, he raced on Columbia, a Farr 47. Last summer, he raced from Newport to Bermuda aboard the Navy 44, "Flirt". Sophomore school year, he raced onboard J105's in the Chesapeake Bay and Key West, Fla. This past summer, he served as the bowman on the Reichel Pugh 66, Zaraffa which finished first in the race from Annapolis to St. Mary's College, Md., winning the Governor's Cup.

**PERSONAL:** Graduated from C.W. Baker High School ... son of Ronald and Mary Sue Hamlet ... majoring in systems engineering.

**TED  
HASKELL**

Junior  
Georgetown, Texas

**AT NAVY:** Haskell had some sailing experience prior to coming to the Naval Academy. His position last summer was strings aboard "Swift" for the Annapolis-Newport Race, New York Yacht Club's Race Week and the Marion-Bermuda Race. Last fall, he served as a

mastman on Lively and the previous summer was on American Promise for the Newport-Bermuda Centennial Race.

**PERSONAL:** Son of Halford and Pamela Haskell ... majoring in applied physics.

**CHESTER  
HEWITT**

Junior  
Dallas, Texas

**AT NAVY:** Had some sailing experience prior to coming to the Naval Academy. His position last summer was strings aboard the "American Promise" in the Newport to Bermuda Race. He served as a JVOST skipper last fall. This summer, he was a trimmer and engineer aboard "Zaraffa" for the Annapolis to Solomons Race and the Around Long Island Regatta. He would love to sail anywhere the "Zaraffa" goes.

**PERSONAL:** Graduate of Highland Park High School ... son of Chris and Sara Hewitt ... majoring in systems engineering.

**TIM  
KEILY**

Junior  
East Granby, Conn.

**AT NAVY:** Keily had no racing experience prior to coming to the Naval Academy, but had sailed recreationally on a variety of boats. Last summer, he served as bowman for Seawolf during New York Yacht Club's Race Week, the Around Long Island Race, and match racing against King's Point. Last fall, he was a JVOST skipper and this summer was the bowman for Polaris at New York Yacht Club's Annual Regatta and Block Island Race Week.

**PERSONAL:** Graduate of East Granby High School ... son of Douglas and Kathryn Keily ... majoring in Naval Architecture.





**JOSH**  
**McMINN**

**Junior**  
**Crockett, Texas**

**AT NAVY:** He did little or no sailing before arriving at the Naval Academy aside from some experience in the Boy Scouts. At the Naval Academy, he sailed on board NA-11 swift for the Newport- Bermuda Race in 2006 as a spinnaker trimmer. In the fall of 2006, he was a skipper and instructor on the JV team. Recently, he sailed on board the Taylor 49, Polaris, as a trimmer.

**PERSONAL:** Son of Rusti McMinn and Patti Lucas ... majoring in ocean engineering.



**MICHAEL**  
**MINKOFF**

**Junior**  
**St. Petersburg, Fla.**

**AT NAVY:** Minkoff had little sailing experience prior to coming to the Naval Academy aside from an introduction to the sport during summer camp when he was 12. His position last summer was grinder/trimmer aboard "Seawolf" for the New York Yacht Club's Race Week and the Around Long Island Race. Last Fall, he was a trimmer aboard NA 9 Flirt. This summer was a grinder/trimmer aboard "Zaraffa" for Annapolis-Solomon Islands Race and the Around Long Island Race.



**CHRISTOPHER**  
**NICOLET**

**Junior**  
**Lakeside, Ariz.**

**AT NAVY:** Nicolet had some sailing experience prior to coming to the Naval Academy as a cruiser in the Mediterrean and the British Virgin Islands while in high school. He was on the JV Offshore Sailing Team during Plebe summer and fall semester of plebe year. In the spring semester, he joined the Varsity team and was on NA-9 Flirt which participated in the Newport to Bermuda race as well as the Onion Patch Regatta in the summer. In the fall semester of his sophomore year, he was a skipper for the JV team. In the spring, he became the executive officer, or second in command, and navigator onboard American Promise which sailed up to Maine where he participated in a Classic Race and visited several yacht clubs.

**PERSONAL:** Graduated from Blue Ridge High School ... son of Claude and Katherine Nicolet ... majoring in English ... has a brother, Timothy, that is at the Coast Guard Academy.



**THOMAS**  
**OBERDORF**

**Junior**  
**Haverford, Pa.**

**AT NAVY:** Had very little sailing experience prior to coming to the Naval Academy. His position last summer was crew/engineer aboard "Flirt" for the Newport Bermuda Race. This past summer, he was skipper aboard "American Promise" on a trip to Maine, taking 3rd in the Castine Camden Classic. Last fall, Oberdorf served as JVOST captain and Navy 26 skipper.

**PERSONAL:** Graduated from the Haverford School ... son of Lt. Col. Jay Oberdorf, USMC (ret.) and Elizabeth Oberdorf ... majoring in ocean engineering.



**ELLIOTT**  
**PAGE**

**Junior**  
**Chelmsford, Mass.**

**AT NAVY:** Page had mostly big boat sailing experience prior to coming to the Naval Academy. His position last summer was strings / asst. navigator aboard "Polaris" for New York Yacht Club's Newport Race Week and the Around Long Island Race. Last year, he served as a VOST jib trimmer and this summer was navigator onboard "Zaraffa" for the Annapolis to Solomon's Island Regatta, Around Long Island Race, and Governor's Cup Regatta.

**PERSONAL:** Graduated from Chelmsford High School ... son of Greg Page and Bennett Kluth ... majoring in electrical engineering.



**MARK**  
**PICINICH**

**Junior**  
**Palisades Park, N.J.**

**AT NAVY:** Picinich learned to sail on his father's and friend's yachts out of the Harlem Yacht Club of City Island, N.Y. Through high school, Mark sailed as a bowman on a local J105 for Wednesday night races, several Larchmont NOOD regattas, and two Block Island Race Weeks. At the Naval Academy, Mark sailed as the mastman on the winning Kennedy Cup, McMillan Cup, and Lloyd Phoenix Cup crew. For his summer races, Mark served as the bowman for the navy 44 Flirt during the Newport-Bermuda race, and the pitman for the Farr 53 Tomcat during the Annapolis-Newport Race and Block Island Race Week.

**PERSONAL:** Graduated from Bergen County Academy ... majoring in aerospace engineering.



**ANDREW  
POULIN**

**Junior**  
**Boxborough, Mass.**

**AT NAVY:** Grew up sailing small boats on Cape Cod. Last summer, served as a trimmer aboard Farr 40 Seawolf for NYYC's Race Week and the Around Long Island Race. During the fall, he made the switch to bow and excelled. This summer, he was the bowman aboard the Farr 53 Tomcat in NYYC's Annual Regatta and Block Island's Race Week.

**PERSONAL:** Son of David Poulin and Mary Ann Noddin-Poulin ... majoring in ocean engineering.



**NICOLAS  
SKAPERDAS**

**Junior**  
**Midlothian, Va.**

**AT NAVY:** Skaperdas had no sailing experience prior to coming to the Naval Academy. His position this past summer was mainsail trimmer aboard the newly donated R/P 66, "Zaraffa," racing in the Around Long Island Regatta and 2007 Maryland Governor's Cup. Last fall, trimmed jib and spinnaker aboard the Navy 44, "Lively" and the previous summer was main trimmer aboard "Swift" for the 100th anniversary Newport-Bermuda race.

**PERSONAL:** Graduated from Maggie L. Walker Governor's School ... majoring in economics with a minor in German ... hopes to become a Naval Aviator upon graduation.



**RILEY  
WALLS**

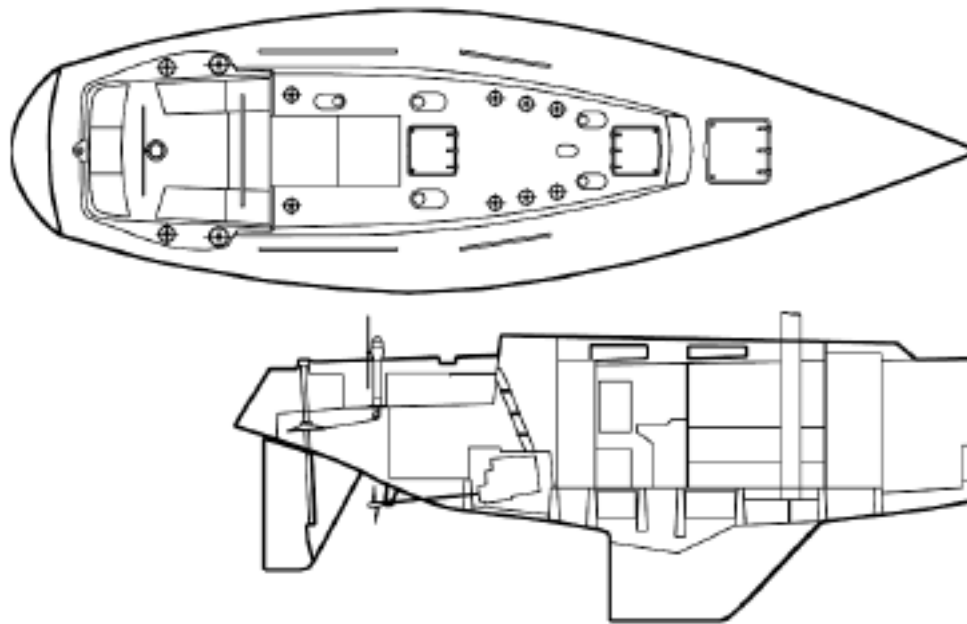
**Junior**  
**Houston, Texas**

**AT NAVY:** Before plebe summer, had no sailing experience. Since then, Walls has spent one semester as a JV skipper and two semesters on Navy 44s, one at strings and the other as mastman. Has raced in the Shields Cup, Storm Trysail Regatta, Annapolis Fall Series, Oxford Race, Newport-Bermuda Race 2006 and the 152nd Annual New York Yacht Club Regatta. Is currently serving as Bowman onboard NA 11 Swift.

**PERSONAL:** Immigrated to the United States in 1997 before becoming a citizen in 2004 ... graduated from Klein Forest High School in 2005 ... Son of Tom Walls and Joan Armstrong ... majoring in comparative politics.



## Navy 44'



**SPECS**

**LOA:** Draft: 7'-9" (+6")  
**Beam:** 12'5"  
**Sail Area:** 956 square feet  
**Disp:** 26,450 lbs. (-1200 lbs)  
**D/L:** 245 (-75)  
**Draft:** 7'3"  
**SA/D:** 18.3 (+0.9)  
**Designer:** McCurdy & Rhodes

## Awards and Honors

### Kennedy Cup

The John F. Kennedy Memorial Trophy was presented to the U.S. Naval Academy in 1965 on behalf of the many friends of the late President. President Kennedy's love for sailing is perpetuated in the annual competition for the trophy, which represents the National Collegiate Large Yacht Championship.

1966	Robert L. Hamilton, Jr.
1977	Richard O'Sullivan
1980	Nick Madigan
1981	Nick Madigan
1982	Dixon Smith
1988	Dan Whitney
1989	Charles Pucciariello
1990	Kevin Hawko
1993	Oliver Vietor
1995	Stephen Karson
1997	Ryan McCrillis
2005	Gregory Storer

### Major Ocean Race Victories

1992	Newport to Bermuda Race	Kyle Weaver
1993	Annapolis to Newport Race	Ara Barton
1994	Annapolis to Bermuda Race	Chris Fisher
1998	Around Long Island Race	Todd Greene
1999	Marion to Bermuda Race (celestial)	Jack Benfield
1999	Marion to Bermuda Race (team trophy)	Benfield, Almeida, Kellogg
2003	Block Island Race Week PHRF	Chad Ingle, Brooke Anderson
2005	Lloyd Phoenix	Gregory Storer

### McMillan Cup

College sailing's oldest regatta was first competed for in 1928 and hosted at various sailing centers in New England. Since 1950 it has been hosted by the Naval Academy in its 44' sailboats and serves as the big boat championship for the New England and Mid-Atlantic districts.

1955	George Atkins
1958	Gene J. Porter
1961	Charles Ulmer
1977	Bruce Reichert
1980	Nick Madigan
1981	Dixon Smith
1984	Brain Ledbetter
1985	Thomas Luscher
1996	Mark Franko
1997	Matthew Morton
1999	Brian Solomon
2004	Tom Bock
2005	Gregory Storer
2006	Joe Campbell

### Navy Offshore Sailing Fleet

<b>Navy 26's</b>	30
<b>Navy 44's</b>	20
<b>New Navy 44's (MK II's)</b>	24
<b>J-24</b>	2
<b>Offshore boats</b>	10
J-105	Allegiance, Dreadnought
Mumm 30	Esprit De Corps
R/P 66	Zaraffa
N/M 50	Mameluke
Farr-40'	Sea Wolf
Farr-50'	Hellcat
Farr-53'	Tomcat
C&C-48'	Patriot
Taylor-49'	Polaris
<b>J-22</b>	1
<b>Sonar</b>	1

# NAVAL ACADEMY

## ANNAPOLIS

The City of Annapolis has been home to the Naval Academy for all but four years since the founding of the school in 1845 on the grounds of what originally was the Army's Fort Severn. The Academy moved its location to Newport, Rhode Island, from 1861-1865 during the Civil War.

## ANCHORS AWEIGH

"Anchors Aweigh" was written by Lt. Charles Zimmerman, musical director of the Naval Academy, in 1906, with the lyrics provided by Alfred H. Miles '06 as a fight song for the 1907 graduating class. The song made its debut at the 1906 Army-Navy game and when the Mids won, the song became traditional at the contest.

Stand Navy down the field,  
Sails set to the sky,  
We'll never change our course,  
So Army you steer shy.  
Roll up the score, Navy,  
Anchors Aweigh,  
Sail Navy down the field,  
And sink the Army,  
And sink the Army Grey

## BANCROFT HALL

Named after the former Secretary of the Navy (1845-46) and founder of the Naval Academy George Bancroft, Bancroft Hall serves as the dormitory for the entire Brigade of Midshipmen. Its 33 acres of floor space and nearly five miles of hallways makes it one of the largest dorms in the world.

## BRIGADE OF MIDSHIPMEN

The 4,200-member student body at the Naval Academy is called the Brigade of Midshipmen.

The Brigade is organized into ...

- 2 regiments
- 6 battalions
- 30 companies

## BILL THE GOAT

The first recorded use of a goat as the mascot for Navy teams was in 1893 when an animal named El Cid (the Chief) was presented to the Brigade by officers of the USS New York. El Cid helped Navy to a 6-4 win over Army that year and a goat became the permanent mascot of the Academy in 1904.



## BLUE & GOLD

Now, colleges from sea to sea  
May sing of colors true;  
But who has better right than we  
To hoist a symbol hue?  
For sailors brave in battle fair,  
Since fighting days of old,  
Have proved the sailor's right to wear  
The Navy Blue and Gold

## CLASS RANKS

First-year students at the Naval Academy are referred to as "plebes" during their initial or "Fourth Class" year in school, while sophomores at Navy, members of the "Third Class," are called "youngsters." Juniors at the school are designated as "Second Class," with seniors called "Firsties" in reference to their "First Class" year.

## CO-ED

Women were first admitted to the Naval Academy during the summer of 1976. Today, women comprise roughly 15 percent of the student body.

## COMMISSIONED OFFICERS

When a student graduates from the Naval Academy, they have the option to enter either the Navy or the Marine Corps as an officer. If they choose to join the Navy, they are commissioned as Ensigns, while those entering the Marine Corps are given the rank of Second Lieutenant.

## JOHN PAUL JONES

The crypt of John Paul Jones, considered America's first naval leader and hero, is located below the Naval Academy Chapel.

The native of Scotland was born in 1747, and travelled to the colonies to assist America during the Revolutionary War. His ship never lost a battle as he reached a rank of captain in the Continental Navy.

Jones died in 1792 in Paris, France, and was buried there. His remains were returned to the United States in 1905 and he was interred at the Naval Academy eight years later.

## MARINE CORPS

Those officers entering the Marine Corps have the choice of service selecting one of the following fields ...

- Aviation -- air command and control, anti-air warfare, aviation maintenance, aviation supply, pilot, naval flight officer.
- Ground -- armor, artillery, communications (information systems), engineering, financial management, infantry\*, logistics, military police



## MIDSHIPMAN

The original 17th Century meaning of the word "midshipsmen" designated those men who stood watch "amidships", or in the middle portion of a ship. The middle "s" was later dropped to give the current form of the word.

Midshipmen were originally young boys who were apprenticed to sea captains to learn the trade.

In the early days of the Navy, midshipmen were trained aboard ship until they were commissioned as ensigns.

## NAVY

Graduates of the Naval Academy entering the Navy have the following service options available to them ...

- Aviation -- flight officer, pilot
- Nuclear Propulsion -- ships, submarines
- Restricted Line and Staff Corps -- civil engineering, cryptology, intelligence, maintenance, medicine, meteorology/oceanography, supply
- Special Operations -- explosive ordinance disposal, explosive ordinance management, mine countermeasures, operational diving and salvage,
- Navy SEALs
- Surface Warfare -- conventional, nuclear powered
- Submarines



## NICKNAME

The official nickname for all of Navy's athletic teams is Midshipmen. "Mids" is an appropriate nickname, while "Middie" is inappropriate.

## N-STAR

Members of varsity teams who qualify for the varsity letter receive an N-Star for their letter sweaters if they participate in a victory over Army in any sport-designated Star Game.

The varsity N and corresponding N-Star were initiated during the early 1890s.

## SCHOOL COLORS

Each class at the Naval Academy produced their own set of class colors until 1892 when Navy Blue and Gold were established as the official colors for the entire Naval Academy.

## NAVAL ACADEMY LEADERSHIP



VICE ADM.  
JEFFREY FOWLER, USN  
Superintendent



CAPT.  
MARGARET KLEIN, USN  
Commandant of Midshipmen

## SUMMER TRAINING

Summers remain a busy and challenging time of year for midshipmen. Their initial tenure at the Naval Academy begins around July 1 prior to the start of the freshman year at the school with "Plebe Summer." Instead of taking academic classes, plebes receive military indoctrination and learn basic seamanship and sailing.

The summer following plebe year is spent aboard various ships to gain knowledge and experience of the workings of the Navy. Included in this time is a three-week cruise aboard either a 44-foot Naval Academy sailboat or a Yard Patrol craft traveling on the East Coast.

Portions of the summer before the start of a second-class year is spent visiting bases of both the Navy and the Marine Corps. That leads up to the next summer when midshipmen join an operational unit of the Navy or Marine Corps for several weeks. In addition, rising firsties also begin to accept leadership roles at either the Naval Academy for plebe summer, the Naval Academy Prep School (Newport, R.I.) or aboard a yard patrol or sailing cruise.

## TECUMSEH

Tecumseh is the Native American figurehead which has been facing Bancroft Hall since 1866.

The statue originally was the figurehead of the USS Delaware and named after Tamanend, a Delaware chief. The name was later changed to Tecumseh after a Shawnee chieftain who lived from 1768-1813.

The original wooden statue was replaced after 50 years by the current bronze version.

Tecumseh is painted prior to football games and during Commissioning Week he is adorned with the shoulder boards of a Navy ensign on one side and that of a Marine Corps second lieutenant on the other.

## THE YARD

"The Yard" is another name for the grounds of the Naval Academy. Originally just 10 acres, The Yard has grown to a size of 338 acres.



# IN THE CLASSROOM

## MAJORS

Students at the Naval Academy can select one of 43 different majors within the following 19 fields of study:

### Division of Engineering & Weapons

Aerospace Engineering, Electrical Engineering, General Engineering, Mechanical Engineering, Naval Architecture, Ocean Engineering, Systems Engineering

### Division of Math & Science

Chemistry, Computer Science, General Science, Information Technology, Math, Oceanography, Physics, Quantitative Economics

### Division of Humanities & Social Science

Economics, English, History, Political Science

In addition to graduating with a Bachelor's of Science, students can also attain a minor in one of seven different languages.

## GRADUATE SCHOOL

There are no graduate school classes offered at the Naval Academy, but opportunities for midshipmen to attain a postgraduate degree at a civilian school or university are available. The ability to attend medical school, as former Navy football player **Terrence Anderson '00** did, is another option.

In addition to furthering their education at schools across the country, students at the Naval Academy annually are in competition for one of the prestigious Rhodes Scholarships to study at the University of Oxford in England.

Since Navy's first Rhodes Scholar, E. Van Meter '28, a total of 43 Naval Academy graduates have received the Rhodes Scholarship, including 10 over the last six years. Among Navy's recent recipients is former baseball player **Trevor Thompson '05**.

## COSIDA ACADEMIC ALL-AMERICANS

Naval Academy student-athletes have been selected as an Academic All-American by the College Sports Information Directors of America 48 times over the years, with Mids garnering 22 awards since 2000.

The list of recent honorees includes two-time Academic All-American **Courtney Davidson** (women's basketball, 2003 & '04), first-team recipient **Trevor Thompson** (baseball, 2005), and third-team honorees Sean Blackman (gymnastics, 2006) and Kirsten Andrews (cross country/track & field, 2006).

Navy student-athletes garnered six Academic All-America awards last season with women's soccer player Lizzie Barnes and track athlete Kirsten Andrews landing on the first team, women's soccer's **Kari Weniger**, Michael Niemi of the track team and Chris Renninger of golf earning second team honors, and Kelly Zahalka (swimming) on the third team.

## ACADEMIC PROGRESS RATES

The APR is the fulcrum upon which the entire academic-reform structure rests. Developed as a more real-time assessment of teams' academic performance than the six-year graduation-rate calculation provides, the APR awards two points each term to student-athletes who meet academic-eligibility standards and who remain with the institution. A team's APR is the total points earned by the team at a given time divided by the total points possible.

Sport	USNA APR	Avg. APR for Division I Ins.	Sport	USNA APR	Avg. APR for Division I Ins.
Baseball	980	934	M. Outdoor Track	1000	951
M. Basketball	981	927	M. Water Polo	966	972
M. Cross Country	1000	961	Wrestling	986	937
Football	982	931	W. Basketball	989	960
M. Golf	991	962	W. Cross Country	985	970
M. Gymnastics	1000	970	W. Crew	1000	984
M. Lacrosse	997	967	W. Soccer	984	971
M. Soccer	987	952	W. Swimming	996	978
M. Swimming	994	967	W. Indoor Track	982	964
M. Tennis	1000	959	W. Outdoor Track	983	965
M. Indoor Track	1000	950	W. Volleyball	988	969
			Rifle	1000	968

Courtney Davidson



Terrence Anderson



Michael Niemi  
(Graduation 2007)



Allison Barlow  
(Graduation 2007)



Kari Weniger



Trevor Thompson



# Midshipmen IN THE COMMUNITY

The Naval Academy Athletic Association works with local schools to expose youth to the Midshipmen, with the hope of providing a lasting impression. The Midshipmen speak to the students about life at the Academy, the experiences of competing in Division I athletics and what they've learned while at Navy, in addition to answering the multitude of questions that the students have.



# SAILING TRADITION AT NAVY

## 2007-08 NAVY SAILING

The U.S. Navy has long understood knowledge, confidence and respect for the sea instilled through sailing helps to make better naval officers. Therefore, the U.S. Naval Academy's sailing program is second to none. Sailing opportunities at the Academy range from the basic sail training given during the summer to every incoming plebe, to the Command and Seamanship Training Squadron during summer training, to the pinnacle of the sport, the varsity intercollegiate and offshore teams. When you join the Naval Academy sailing team, you are joining a program that has a tradition of helping an individual find out exactly how good he or she can be.

The sailing team is headquartered in the Robert Crown Center, a modern building on the banks of the Severn River. It houses the administrative and coaching offices, team classrooms, locker rooms and equipment repair and storage facilities. The Robert Crown Center also houses the Intercollegiate Yacht Racing Association Hall of Fame which exhibits many of the North American collegiate trophies, plaques and half-models, as well as the All-America lists, representing the achievements of the 70 years of intercollegiate sailing. In addition, the Naval Academy's sailing trophies and awards are on display in the Hall.

Adjacent to the Crown Center is Santee Basin, the mooring area for the Naval Academy's 250-plus sail training fleet including the 20 Navy 44s, six donated offshore boats, 12 J-24's, 22 420s, 22 FJs and 136 Lasers used by the sailing teams. Practices and racing take place on the Severn River and the Chesapeake Bay.



The Robert Crown Sailing Center at the United States Naval Academy

# ANNAPOLIS

## And The Surrounding Area



**Located on the western shore of the Chesapeake Bay, Annapolis is just a 30 minute drive from downtown Washington, D.C., or Baltimore's Camden Yards and Inner Harbor.**



# 2007-08 NAVY SAILING



**Robert Crown Center**

*Santee Basin*

## Schedules

### INTERCOLLEGIATE SAILING

Date	Event
Sept. 8-9	at Pine Trophy
Sept. 8-9	at Anderson Trophy
Sept. 8-9	at Kings Point Laser Open
<b>Sept. 8-9</b>	<b>Navy Laser Open</b>
Sept. 8-9	at Riley Cup
Sept. 8-9	at Old Dominion BYO Women & Men's Radial
Sept. 15-16	at Hatch Brown
Sept. 15-16	at Nevins Trophy
Sept. 15-16	at Central Fall #1 - Ocean County Col.
Sept. 15-16	at New York Maritime Fall Open
<b>Sept. 22-23</b>	<b>Laser Qualifier South</b>
Sept. 22-23	at South #1 - St. Mary's College Open for the Senators' Cup
Sept. 22-23	at Princeton Women's Fall Open
Sept. 29-30	at North Fall #1
Sept. 29-30	at Danmark Trophy
<b>Sept. 29-30</b>	<b>Faye Bennett / MAISA Women's Singlehandeds</b>
<b>Sept. 29-30</b>	<b>Carl Van Duyne Trophy / MAISA Men's Singlehandeds</b>
Oct. 6-7	at Hap Moore Team Race
<b>Oct. 6-7</b>	<b>Navy Women's Fall Intersectional</b>
Oct. 6-7	at Hobart / William Smith Fall Intersectional
Oct. 6-7	at Hampton Bay Days
Oct. 13-14	at Yale Women's Intersectional
<b>Oct. 13-14</b>	<b>Navy Fall Intersectional</b>
Oct. 13-14	at Central Fall #2 - Washington College
Oct. 20-21	at Hoyt Trophy
Oct. 20-21	at Stu Nelson (Women's)
<b>Oct. 20-21</b>	<b>MAISA Sloops</b>
<b>Oct. 20-21</b>	<b>MAISA Fall Open</b>
Oct. 20-21	at Kings Point Dinghy Open
Oct. 27-28	at Women's Victorian Coffee Urn
Oct. 27-28	at War Memorial

Date	Event
Nov. 2-4	at ICSA Men's Singlehandeds
Nov. 2-4	at ICSA Women's Singlehandeds
Nov. 3-4	at MAISA Women's Fall Dinghy
Nov. 10-11	at Atlantic Coast Women
Nov. 10-11	at Atlantic Coast Dinghies
Nov. 12-16	at Women's Rolex Keelboat Championships
Nov. 16-18	at ICSA Sloops
Jan. 5-6	at Rose Bowl

### OFFSHORE SAILING

Date	Event
<b>Sept. 1-3</b>	<b>CBYRA Raceweek</b>
<b>Sept. 8</b>	<b>Hospice Cup Regatta</b>
Sept. 15	at NASS Race to Oxford
<b>Sept. 15</b>	<b>Shields Trophy Regatta</b>
Sept. 16	at Hammond Memorial Race to Annapolis
Oct. 5-12	at Regata Escola Naval
<b>Oct. 6-7</b>	<b>Annapolis Yacht Club Fall Series #1</b>
Oct. 6-7	at Storm Trysail Intercollegiate Regatta
<b>Oct. 13-14</b>	<b>Annapolis Yacht Club Fall Series #2</b>
<b>Oct. 20-21</b>	<b>Annapolis Yacht Club Fall Series #3</b>
<b>Oct. 20-21</b>	<b>MacMillan Cup Regatta</b>
<b>Oct. 26-28</b>	<b>U.S. Sailing Offshore Championship</b>
<b>Oct. 31 - Nov. 4</b>	<b>J/105 North American Championships</b>
Nov. 2-4	IRC Championships
Nov. 2-4	Kennedy Cup

Home Races in **bold**

M  
I  
D  
D  
S  
H  
I  
P  
M  
E  
N