

2006-07 Outlook

The U.S. Naval Academy intercollegiate sailing team will sail in over 60 collegiate and one-design regattas during the 14-week fall and 13-week spring seasons each year. With 125 Intercollegiate Sailing Association (ICSA) member schools located in the Mid-Atlantic and New England districts Annapolis is situated just far enough south to sail late into the fall and start early each spring and is in the center of collegiate sailing's most active and competitive region.

The intercollegiate sailing team practices four days a week for three hours a day and competes every weekend in both the fall and spring. Navy's very comprehensive and competitive schedule leads to the six ICSA National Championships. Three championships are held in the fall season -- the men's single-handed, the women's single-handed and the sloops. The other three championships are held at the conclusion of the spring season -- the co-ed dinghy, the women's dinghy and team racing. When the collegiate racing season ends in the spring, many team members continue to train in the summer as crew members on the Academy's off-shore racing boats, which sail and compete throughout the East Coast during the summer. With this much sailing time, it is easy to understand the old adage, "you will never be a better dinghy sailor than the day after you graduate college."

The sailing program's fleet of racing dinghies consists of 42 racing Lasers, 50 training Lasers, 22 420s, 22 Flying Juniors, three vanguard 15 dinghies, three interclub dinghies and three Tech Dinghies. This gives the team the latitude to focus during practice in a specific boat for an upcoming

event. With such a large fleet, Navy is able to play host to a multitude of events every year, including two of the largest college sailing regattas in the world. The Navy Fall Intersectional and the Truxtun Umstead Regatta in the spring feature four divisions of 20 teams all racing on the water at the same time and are run by the mid-shipmen.

The Naval Academy's sailing facility, the Robert Crown Center, re-opened after a multi-million dollar renovation and expansion was completed in March 2004. This will further allow the Navy sailing team to excel with state-of-the-art facilities and training environment.

The 2005-2006 season was capped off by the Navy women's team finishing sixth in the nation and three athletes being named to the All-American Team.

The 2006-2007 season will commence with a fall focus on single-handed, sloop, and dinghy fleet racing. 2006 graduate, ENS Chuck Fulmer, will coach the laser sailors in the fall prior to reporting to his next duty station.

Returning starters include the entire women's team composed of Katie Whitman, Andrea White, Charlotte Hill, Maggie Reynolds and Trisha Kutkiewicz. Jeff Sharp, Kevin McGill and Mac Fletcher will campaign Navy's laser efforts and are looking to qualify for the national championship.

Incoming freshman include Bryan Rigby (California) and Martin Sterling (Hawaii) after solid finishes at the High School Championships representing the Naval Academy Prep School. Alaina Bussell (Florida) will campaign the laser radial as a freshman for Navy this fall.

Freshman Tim Murphy (Florida) joins the team this fall after finishing a respectable fourth at the High School team racing national championship last spring. Also joining the team as freshman this fall are Caitlin Ness (Washington) and Tina Pryne (Hawaii). Gary Grimes (California), with a division win at home last year and a key player on the sloop team the last couple of years, will serve as team captain for Navy's Intercollegiate (IC) Sailing Team. The IC team will cap off the 2006-2007 season by hosting the college national championships for both team racing and dingy fleet racing in May of 2007.



NAVY INTERCOLLEGIATE SAILING FLEET

Lasers	42
Collegiate 420s	22
Collegiate FJs	22
Interclub Dinghy	3
Tech Dinghy	3
Vanguard 15 Dinghy	3



Head Coach Gavin O'Hare

Fifth Year at Navy - U.S. Naval Academy '92

Gavin O'Hare enters his fifth season as head coach of the Navy intercollegiate sailing team.

Before his tenure on The Yard, O'Hare served as a coach and instructor for San Diego State and Washington, as well as for the local Severn Sailing Association. O'Hare has also led training clinics and seminars for youth and adult programs in

Canada, Japan and throughout the United States.

As a member of the US SAILING Hinman Committee and U.S. Team Racing Association, he is recognized as a team-racing expert and has authored a book on tactics and strategy entitled Contemporary Team Racing.

O'Hare is a US SAILING certified level one instructor and level two coach, and continues to gain competitive sailing experience by racing small sailboats such as Snipes, Vanguard 15s and Lasers. He received the 2002 US SAILING Leadership Award for excellence in promoting team racing.

He adds six years of sales and marketing experience after earning his master's degree in business administration from the University of Phoenix in 2003.

O'Hare returns to Annapolis after graduating from the Naval Academy in 1992. During his time at Navy, he was a member of the intercollegiate sailing program, which was coached by current Olympic sailing team coach, Gary Bodie. After graduation, he served as a surface warfare officer in operations and engineering billets aboard the USS OLDENDORF (DD 972) and the USS PONCE (LPD 15).

Assistant Coaches



Grant Garcia

Assistant Coach
Third season

Lieutenant Grant Garcia enters his third season as an assistant coach on the intercollegiate sailing team. He was born in Miami, Fla, on August 1, 1978, and graduated from the Naval Academy in May 2000 with a Bachelor of Science in General Science and

his commission.

While at the Academy, Grant sailed for the Intercollegiate Team and was selected to the All American Team – Honorable Mention in 1999. Since graduation, Grant has coached sailors up and down the eastern seaboard during his spare time. After completing nuclear power and basic submarine training, he reported to USS BOISE (SSN 764), homeported in Norfolk. During this tour, he served in a variety of division officer assignments, earned his submarine gold dolphins, participated in a Mediterranean deployment as well as in Iraqi Freedom.

He returns to the Naval Academy for his two-year shore duty tour in support of Robert Crown Center – Intercollegiate Team Operations.



John Vandemoer

Assistant Coach
First season

John Vandemoer has been coaching full time since he graduated from Hobart College in 2000.

At Hobart, John sailed for the varsity team all four years and has enjoyed a successful coaching career leading Chicago Yacht Club Sailing School to

two National Championships in five years. He also brought his high school teams to eight national championships and was awarded the Capt. Joe Prosser Trophy, by US SAILING for excellence in sailing education. John continues to be an Optimist National team coach and brings his sailors all over the world to compete.

He also is US Sailing level III qualified and sits on the board of the High School sailing organization (ISSA).

Prior to coaching at Navy, John was the assistant dinghy coach at St. Mary's College of Maryland for two years and was instrumental in qualifying the team for all six of the college sailing national championships in the 2005-2006 season.

MID-ATLANTIC INTERCOLLEGIATE SAILING ASSOCIATION

(MAISA) MEMBER SCHOOLS

Christopher Newport
Colgate
Columbia
Cornell
Delaware
Drexel
Fordham

George Washington
Georgetown
Hamilton
Hampton
Haverford/Bryn Mawr
Hobart & William Smith
Loyola (Md.)

Maryland
Old Dominion
Pennsylvania
Penn State
Princeton
Queen's (Canada)
Rochester

Salisbury
St. Mary's (Md.)
Stevens Institute
SUNY-Maritime
Syracuse
UMBC
U. S. Merchant Marine

Academy
U. S. Military Academy
U. S. Naval Academy
Virginia
Vassar
Washington (Md.)
Webb Institute

2006-07 Roster

Name	Yr.	Hometown/High School	Major
Stephanie Altomare	So.	Richboro, Pa./Council Rock	Astonautical Engineering
Krysta Anthony	Jr.	Tullahoma, Tenn./Tullahoma	Systems Engineering
Andrea Bosch	Jr.	Belize City, Belize/St. Catherine Academy	Computer Science
Audrey Callanan	Jr.	Laguna Niguel, Calif.	Mathematics
Alexander Campbell	Jr.	Santa Barbara, Calif./Dos Pueblos	Quantitative Economics
Michael Curran	So.	St. Petersburg, Fla./Shorecrest Prep School	Oceanography
Mac Fletcher	So.	Pensacola, Fla./B.T. Washington	Oceanography
Jake Gerlach	Jr.	Brookfield, Wis./Brookfield East	Naval Architecture
Ian Gill	Jr.	Norwalk, Conn./Norwalk	Ocean Engineering
Gary Grimes	Sr.	Newport Beach, Calif./Newport Harbor	Economics
Charlotte Hill	Jr.	Miami, Fla./Ransom Everglades	Oceanography
Trisha Kutkiewicz	So.	Center Moriches, N.Y./Center Moriches	Oceanography
James Licata	So.	Mequon, Wis./Homestead	Aerospace Engineering
Kevin McGill	Jr.	Barrington, R.I./Barrington	Naval Architecture
Michael Mullee	Jr.	Huntington Beach, Calif./Edison	English
David Parker	Jr.	Erie, Pa./Cathedral Prep	Economics
Robert Ramirez	Jr.	Miami, Fla. /Gulliver Prep School	Economics
Margaret Reynolds	Jr.	Westfield, N.J./Westfield	Naval Architecture
Jeffrey Sharp	Sr.	Bradenton, Fla./Manatee	Aerospace Engineering
Kristen Sproat	Jr.	Berwyn, Pa./Villa Maria Academy	Systems Engineering
Lauren Sutehall	Sr.	Duluth, Ga./Chattahoochee	Economics
Kristen Ullman	Sr.	Wellington, Fla./Suncoast	Aerospace Engineering
Daniel Umpa	So.	Amityville, N.Y.	
Andrew Vann	So.	Tampa, Fla./H.B. Plant	Naval Architecture
Andrea White	Sr.	Diamondhead, Miss./Hancock	Information Technology
Katherine Whitman	Sr.	Folly Beach, S.C./Tabor Academy (Mass.)	Oceanography

**** Freshmen will not be known until later in the season.**

Head Coach: Gavin O'Hare

Assistant Coaches: Grant Garcia, John Vandemoer

Officer Representative: Frances Clemens

Faculty Representative: Prof. Paul Miller

2006-07 Schedule

Fall 2006

Aug. 20-21	J22 Mid-Atlantic Championship	Annapolis, Md.
Aug. 25-26	Youth Team Race	Annapolis, Md.
Sept. 2-3	Anderson Trophy	New Haven, Conn.
Sept. 2-3	Kings Point Laser Open	Kings Point, N.Y.
Sept. 2-3	WRSC Annual Regatta	Galesville, Md.
Sept. 9-10	Captain Hurst Bowl	Hanover, N.H.
Sept. 9-10	J22 East Coast Championship	Annapolis, Md.
Sept. 9-10	Navy Laser Open	Annapolis, Md.
Sept. 9-10	Old Dominion BYO Women's & Men's Radial	Norfolk, Va.
Sept. 9-10	Pine Trophy	New London, Conn.
Sept. 9-10	Riley Cup	Norfolk, Va.
Sept. 16-17	Konnigsberg Laser Regatta	Galesville, Md.
Sept. 16-17	Mrs. Hurst (Women's)	Hanover, N.H.
Sept. 16-17	Nevins Trophy	Kings Point, N.Y.
Sept. 16-17	Shields Trophy	Annapolis, Md.
Sept. 23-24	Hood Trophy	Medford, Mass.
Sept. 23-24	Laser Qualifier South	Annapolis, Md.
Sept. 23-24	MAC Cup Preliminaries	Annapolis, Md.
Sept. 23-24	South No. 1 Saint Mary's College Open for Senators Cup	Annapolis, Md.
Sept. 30-Oct. 1	Faye Bennet MAISA Women's Singles	Annapolis, Md.
Sept. 30-Oct. 1	Navy Small Keelboat Promotional	Annapolis, Md.
Sept. 30-Oct. 1	North Fall No. 1	Geneva, N.Y.
Sept. 30-Oct. 1	T.S. Stern Sloop	Charleston, S.C.
Oct. 7-8	Hap Moore Team Race	New London, Conn.
Oct. 7-8	Hobart / William Smith Fall Intersectional	Geneva, N.Y.
Oct. 7-8	MAISA Men's Singlehanded / Carl Van Duyne Trophy	Annapolis, Md.
Oct. 7-8	Navy Women's Fall Intersectional	Annapolis, Md.
Oct. 7-8	South Fall No. 2 / Tom Curtis Trophy	Washington, D.C.
Oct. 14-15	Navy Fall Intersectional	Annapolis, Md.
Oct. 14-15	Yale Women's Intersectional	New Haven, Conn.
Oct. 21-22	Kings Point Dinghy Open	Kings Point, N.Y.
Oct. 21-22	MAISA Fall Open	Norfolk, Va.
Oct. 21-22	MAISA Sloops	Annapolis, Md.
Oct. 21-22	McMillan Cup	Annapolis, Md.
Oct. 21-22	Stu Nelson (Women's)	New London, Conn.
Oct. 28-29	Henry Luce Trophy	Bronx, N.Y.
Oct. 28-29	War Memorial	Kings Point, N.Y.
Oct. 28-29	Women's Victorian Coffee Urn	Cambridge, Mass.
Nov. 3-5	ICSA Men's Singlehandeds	Bristol, R.I.
Nov. 3-5	ICSA Women's Singlehandeds	Bristol, R.I.
Nov. 3-5	Kennedy Cup Regatta	Annapolis, Md.
Nov. 4-5	MAISA Women's Fall Dinghy	Ithaca, N.Y.
Nov. 17-19	ICSA Sloops	Charleston, S.C.
Nov. 24-26	Timme-Angsten	Chicago, Ill.
Dec. 30-31	Sugar Bowl	TBA
Jan. 6-7	Rose Bowl	Long Beach, Calif.

• The spring schedule will be announced at a later date.

Midshipmen Profiles



Gary Grimes

SENIOR • TEAM CAPTAIN
NEWPORT BEACH, CALIF.

At Navy: 2005-06 — Sailed in 16 regattas...won B division at Navy Fall...won A division at Senators Cup...skippers on team racing team...winner of Ann Campbell

Regatta...winner of Rusty Cavileer Doublehanded MVP Award. **2004-05** — Sailed in 10 regattas...did bow on the boat that qualified for ICSA Sloop North Americans...winner of Ulmer Seelig Regatta. **2003-04** — Sailed in 17 regattas...helped the Mids to strong performances at three freshmen events, including a third-place finish at the Freshman Groundbreaker and a sixth-place showing at the MAISA Freshman Championship in Oct. 2003.

Prior to Navy: 2002 graduate of Newport Harbor High School...lettered in soccer and sailing...won High School Sailing National Championship in 1999 and 2000...named his soccer team's Defensive Player of the Year as a senior...lists Vladimir Guerrero as his favorite athlete...nicknamed Garibaldi Grimes.

Personal: Son of Gary and Sharon Grimes...has two sisters and one brother...born August 14, 1984...majoring in economics.



Jeffrey Sharp

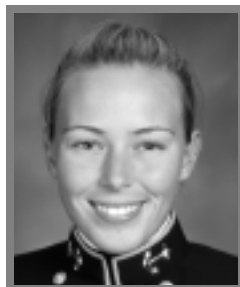
SENIOR
BRADENTON, FLA.

At Navy: 2005-06 — Sailed in three regattas...represented the Naval Academy at the Turkish Nautical Competition and won both the sailing portion and overall. **2004-05**

— Sailed in three regattas...helped team to a second place finish at Truxtun Umstead Regatta. **2003-04** — Sailed in two regattas...Skipped the B division boat at the Atlantic Coast Freshmen Championship.

Prior to Navy: 2003 graduate of Manatee High School...lists sailing a laser on the outside break of Clearwater Beach during hurricane season as his biggest athletic thrill.

Personal: Son of Jeffrey Sr. and Michelle Sharp ... has two sisters...born Aug 28, 1985 ...majoring in aerospace engineering.



Lauren Sutehall

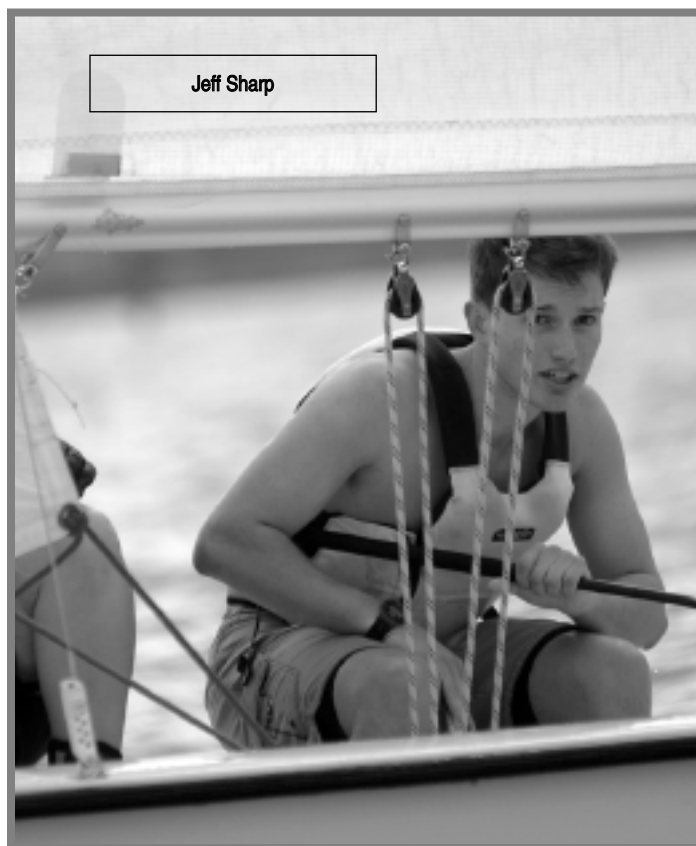
SENIOR
DULUTH, GA.

At Navy: 2005-06 — Sailed in seven regattas...studied at the U.S. Air Force Academy in the fall semester...versatile crew in both fleet racing and on the team

racing team. **2004-05** — Competed in 17 regattas... won MAISA Women's Fall Championship as crew in B division... crewed in co-ed B division boat all year as well as on team racing team... crewed for women's A division boat at ICSA Women's North Americans. **2003-04** — Sailed in seven regattas... crewed the B division boat at the Atlantic Coast Freshmen Championship in Nov. 2003... helped the Mids take fifth place at the Yale Women's Regatta in Oct. 2003.

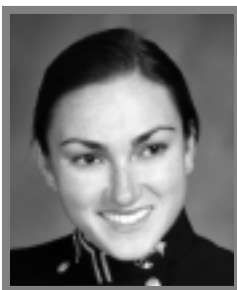
Prior to Navy: 2001 graduate of Chattahoochee High School... transferred to Navy from Georgia Tech... competed on the crew and swimming teams... helped her crew team to the Southeast Regional title and a 12th-place finish at Nationals in 2001...enjoys traveling and winning with the sailing team...nicknamed LoLo.

Personal: Daughter of John and Susan Sutehall... has two brothers and one sister... born Oct. 9, 1984... majoring in economics





Lauren Sutehall



Andrea White

SENIOR
DIAMONDHEAD, MISS.

At Navy: 2005-06 — Sailed in 15 regattas...represented the team in both A and B division women's boats, and on team racing team as a crew...won A division at Stu Nelson Regatta as a crew...won A division at MAISA Fall Women's Championship...won B division at Dellenbaugh...sailed in both divisions at MAISA Spring Women's Championship and won each...finished fifth in A division, sixth in B division and sixth overall at ICSA Women's Dinghy Nationals...ICSA All American Crew...winner of the Julia Babineau Top Intercollegiate Crew Award. **2004-05** — Sailed in 16 regattas... finished third at Mrs. Hurst Regatta crewing in B division... tied for first at Duplin Regatta... finished ninth in B division at ICSA Women's North Americans. **2003-04** — Competed in one regatta.

Prior to Navy: 2003 graduate of Hancock High School... member of the swimming and tennis squads... captained the swim team as a senior... salutatorian of her graduating class... lists coming to the Naval Academy as the craziest thing she's ever done... likes being on the water.

Personal: Daughter of John and Brenda White... has one brother... born Sept. 14, 1984... majoring in information technology.



Andrea White



Kristen Ullman

SENIOR
WELLINGTON, FLA.

At Navy: 2005-06 — Sailed in five regattas...finished third at ODU Open as a crew. **2004-05** — Competed in eight regattas... helped women's team to a 10th place finish at ICSA Women's North Americans.

Prior to Navy: Graduate of Suncoast High School... varsity diving team captain... State qualifier in diving all four years

Personal: Daughter of Keith and Debbie Ullman...has one sister... born April 12, 1985... majoring in aerospace engineering.



Katherine Whitman

SENIOR
FOLLY BEACH, S.C.

At Navy: 2005-06 — Sailed in 15 regattas...won A Division at MAISA Women's both in the Fall and Spring...finished first in A division at Stu Nelson Regatta...finished fifth in A division at ICSCA Women's Dinghy Nationals...ICSCA Women's All-American. **2004-05** — Sailed in 20 regattas... finished second in A division as skipper at Mrs. Hurst Regatta... helped team win the MAISA Women's Fall Championship, finishing third in A division... skippered on team racing team... finished seventh in A division at ICSCA Women's North Americans. **2003-04** — Sailed in 14 regattas... helped team qualify and place third at ICSCA Women's North American Championship... skippered the B division boat to a first-place finish at the Women's Atlantic Coast Championship in Nov. 2003... also skippered the B division boat to a first place finish at the Navy Fall Women's Intersectional as the Mids took third overall in Oct. 2003.

Prior to Navy: 2003 graduate of the Tabor Academy in Marion, Mass. ... competed on the sailing, cross country, soccer and ice hockey teams... was captain of her ice hockey team as a junior, sailing team captain as senior... lists Assistant Coach Molly O'Bryan as her favorite athlete and her dad as the most influential person in her life.

Personal: Daughter of Bill and Fran Whitman... has two brothers... born Jan. 9, 1985... majoring in oceanography.



Krysta Anthony

JUNIOR
TULLAHOMA, TENN.

At Navy: 2005-06 — Sailed in 13 regattas...co-winner of 26th Annual Rachelle Anne Rees Memorial Trophy for outstanding female competitor at the Sugar Bowl ...finished first at the Team Race Challenge as a crew...won B division at Washington College Women's Regatta as a crew...won Christopher Newport 2-on-2 Regatta. **2004-05** — Sailed in three regattas... won B division at KP Dinghy Open as crew... finished second overall crewing the A division at the Arrigan Memorial.

Prior to Navy: 2004 graduate of Tullahoma High School... valedictorian... National Honors Society member... drum major of high school marching band... varsity letter winner in track, soccer and cross country... Sports Illustrated All American Teen... lists Julie Foudy as her favorite athlete... enjoys traveling, sleeping and running in her free time.

Personal: Daughter of Jack and Patty Anthony... has one brother... born Aug. 10, 1985... majoring in systems engineering.





Andrea Bosch

JUNIOR
BELIZE CITY, BELIZE

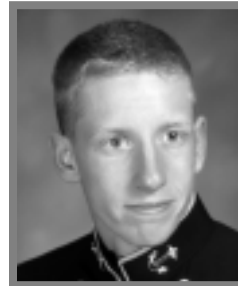
At Navy: 2005-06 — Sailed in three regattas...co-winner of 26th Annual Rachele Anne Rees Memorial Trophy (with teammate Krysta Anthony) for outstanding female competitor at the Sugar Bowl...finished first in B Division at Nokia Sugar Bowl as a crew...won University of Maryland 2-on-2 Regatta as a crew...finished first at Christopher Newport University 2-on-2 Regatta. **2004-05** — Sailed in two regattas.

Prior to Navy: Graduate of St. Catherine Academy... attended one year at St. John's Junior College... Class President... Treasurer of School Sport Club... Canoe Club member... lists Rick Bateman, her Karate instructor, as a role model... has twin brother that also attends the Academy... once canoed 170 miles in a four-day race.

Personal: Daughter of Javier and Sadia Bosch... has one sister and two brothers... born Aug. 10, 1984... majoring in information technology.

Prior to Navy: Attended Dos Pueblos High School... National Merit Finalist... Eagle Scout... favorite pastime is playing Frisbee, miniature golf and eating peanuts... lists claiming to be heir of Campbell Soup family to crash a formal ball as one of his craziest moments.

Personal: Son of Douglas and Regula Campbell... has one brother... born Nov. 13, 1986... majoring in quantitative economics.



Jake Gerlach

JUNIOR
BROOKFIELD, WIS.

At Navy: 2005-06 — Sailed in four regattas...amazing team player both on the water and off.

Prior to Navy: Graduated from Brookfield East High School...National Honor Society member...four year varsity swimming and two years cross country...enjoys cooking thai food...lists Bret Favre as his favorite athlete...nicknamed Mugatu.

Personal: Son of Bryan and Jackie Gerlach...born April 12, 1986...majoring in Naval Architecture.



Audrey Callanan

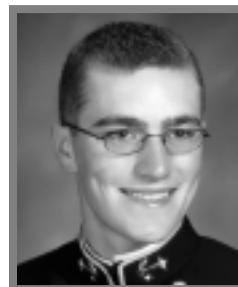
JUNIOR
LAGUNA NIGUEL, CALIF.

At Navy: 2005-06 — Sailed in six regattas...finished fifth in A division at Charleston Spring Women's Intersectional...won Team Race Challenge as a crew. **2004-05** —

Sailed in seven regattas during fall season.

Prior to Navy: 2004 graduate of Dana Hills High School... valedictorian... AP Scholar... enjoys reading in her free time... lists getting double bullets in a set this past fall as biggest athletic thrill... sees fellow Mid Charlotte Hill as her favorite athlete.

Personal: Daughter of Gerry and Judy Callanan... has one sister... born July 29, 1986... majoring in mathematics.



Ian Gill

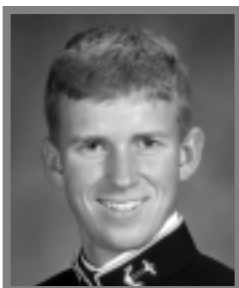
JUNIOR
NORWALK, CONN.

At Navy: 2005-06 — Sailed in 12 regattas...won A division at ODU Open skippering A division...finished first at University of Maryland 2-on-2 Regatta...won B division at

Arrigan Memorial...finished first at CNU 2-on-2 Regatta. **2004-05** — Sailed in seven regattas... won the Delaware Spring Open.

Prior to Navy: 2004 graduate of Norwalk High School... member of National Honor Society... sailed for Cedar Point Yacht Club... lists juggling as a random talent... was once struck by lightning while sailing.

Personal: Son of Harrison and Patricia Gill... has three brothers and one sister... born Aug. 27, 1986... majoring in ocean engineering.



Alexander Campbell

JUNIOR
SANTA BARBARA, CALIF.

At Navy: 2005-06 — Sailed in one regatta...finished first skippering at the

Christopher Newport University 2-on-2 Regatta. **2004-05** — Sailed in six regattas... skippered B division at ODU Spring Open to a third place finish.



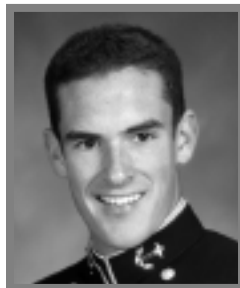
Charlotte Hill

JUNIOR
MIAMI, FLA.

At Navy: 2005-06 — Sailed in 19 regattas... finished first in B Division at Yale Women's Intersectional as a skipper...represented the Naval Academy at ICSA Singlehanded Nationals finishing fourth...won B division at Navy Spring Women's Intersectional...finished first at Dellenbaugh Trophy...won B Division at MAISA Women's Spring Dinghy Championship...finished sixth in B division at ICSA Women's Dinghy Championship...ICSA Women's All-American...finalist for Quantum Women's Sailor of the Year...winner of the Fair American Intercollegiate Female MVP Award...winner of the Class of 1916 Trophy awarded to the outstanding singlehanded sailor on Intercollegiate Team. **2004-05** — Sailed in 18 regattas... finished fourth at MAISA Women's Singlehanded's... skippered B division boat to win MAISA Women's Fall Championship... tied for first in B division at Duplin regatta... finished ninth in B division at ICSA Women's North Americans... winner of the Fair American Intercollegiate Female MVP Award.

Prior to Navy: 2004 graduate of Ransom Everglades High School... member of the soccer team, Key Club and Student Government... captain of sailing team... helped team win team racing and fleet racing national qualifiers her junior year... won Leiter Cup in 2003... member of 2001 European Opti Team... learned to sail at Miami Yacht Club and raced out of Coral Reef Yacht Club... sees Gary Jobson as her role model... biggest athletic thrill was port tacking a 500 boat fleet and making it.

Personal: Daughter of Mary Kennerk and Dwight Hill... has two sisters... born Aug. 14, 1986...majoring in oceanography.



Kevin McGill

JUNIOR
BARRINGTON, R.I.

At Navy: 2005-06 — Sailed in four regattas...competed on the top sloop team in the national qualifier...won the 60th Annual Regata Escola Naval sailing J24's against Naval Academies from around the world in Brazil...winner of the Cornelius Shields Trophy for most valuable sloop sailor on the intercollegiate team. **2004-05** — Sailed in two regattas.

Prior to Navy: 2004 graduate of Barrington High School... National Honor Society member... varsity hockey player... sailed for Barrington Yacht Club as a junior... favorite athlete is Wayne Gretzky... likes that nothing is ever the same with sailing.

Personal: Son of David and Peggy McGill... has two brothers... born Aug. 30, 1986... majoring in Naval Architecture.



Kevin McGill



Michael Mullee

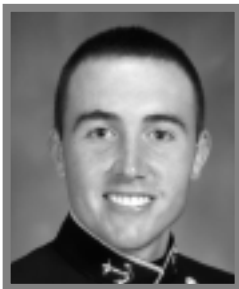
JUNIOR
HUNTINGTON BEACH, CALIF.

At Navy: 2005-06 — Sailed in 15 regattas...won B division at Navy Fall Intersectional as a crew...crews on both team racing and fleet racing teams. **2004-05**

— Sailed in nine regattas... finished second at Freshman Atlantic Coast Championship crewing in B division... won B division three weekends in a row in the Spring Semester.

Prior to Navy: Graduate of Edison High School... lists Ken Ammann as the most influential person in his life... in 2002-2003 was personal page to the Speaker of the House of Representatives, Dennis Haster... won the Crew of Two Around Catalina in 2002... Eagle Scout.

Personal: Son of Bill and Francine Mullee...has two brothers and two sisters... born Sept. 23, 1985... majoring in English.



David Parker

JUNIOR
ERIE, PA.

At Navy: 2005-06 — Sailed in 11 regattas...won A Division at Nokia Sugar Bowl as a skipper. **2004-05** — Sailed in 13 regattas... helped team to 1st place finish at KP

Dinghy Open... won A division at the Delaware Spring Open... was a valuable heavy air crew for major co-ed events.

Prior to Navy: 2002 graduate of Cathedral Prep High School... worked for Americorps for one year ... sailed out of Erie Yacht Club as a junior... lists yodeling as a random talent... enjoys marathon running.

Personal: Son of Mike and Diane Baughman... has two sisters and three brothers... born Dec. 21, 1983... majoring in economics.



Robert Ramirez

JUNIOR
MIAMI, FLA.

At Navy: 2005-06 — Sailed in 10 regattas...finished fourth in A division at the Arrigan Memorial...helped team to a fourth place finish at MAISA Team Race Qualifier.

2004-05 — Sailed in nine regattas... helped team to second-place finish at Freshman ACC's.... won B division three weekends in a row in spring semester.

Prior to Navy: 2004 graduate of Gulliver Prep School ... likes sailing because it is such a multi-dimensional sport that one can do for their entire life... lists Augie Diaz as his role model.

Personal: Son of Daniel and Carmen Ramirez... born March 5, 1986... majoring in economics.



Maggie Reynolds

JUNIOR
WESTFIELD, N.J.

At Navy: 2005-06 — Sailed in 15 regattas...won B Division at Yale Women's Intersectional as a crew...finished second at Women's ACC's in B Division...won B

Division at Navy Spring Women's Intersectional...won B Division as a skipper at Washington College Women's Regatta...won B division at the Dellenbaugh Regatta...Won B Division at MAISA Women's Spring Dinghy Championship...finished sixth in B division and helped team to a fifth-place finish in A division at ICSA Women's Dinghy Nationals. **2004-05** — Sailed in four regattas...finished second at Washington College Women's Open skippering B division.

Prior to Navy: 2004 graduate of Westfield High School... National Honors Society... sailed out of Island Heights Yacht Club in New Jersey... lists her grandfather as her role model... likes how relaxing but competitive sailing is.

Personal: Daughter of Phil and Margarita Reynolds... has three brothers...born June 12, 1986...majoring in Naval Architecture.



Kristen Sproat

JUNIOR
BERWYN, PA.

At Navy: 2005-06 — Sailed in 17 regattas...won A Division at Senator's Cup as a crew...finished fourth in B Division at Thompson Trophy...crewed on both team racing and fleet racing teams all year...winner of Ann Campbell Regatta. **2004-05** — Sailed in 15 regattas... crewed in A division at Freshman ACC's finishing second... crewed at Co-ed ACC's finishing 5th in B division... helped team to second-place finish at Truxtun Umsted Regatta... crewed in A division boat all Spring as well as team racing team... winner of the Williams Seamanship Most Improved Award.

Prior to Navy: 2004 graduate of Villa Maria Academy in Melvern... student body president... valedictorian... music honor society president... lacrosse academic All-American... plays the viola... enjoys pick-up soccer and Frisbee... likes the intense mental concentration combined with the physical demands sailing provides

Personal: Daughter of Ward and Heidi Sproat... has two brothers...born May 3, 1986... majoring in systems engineering.



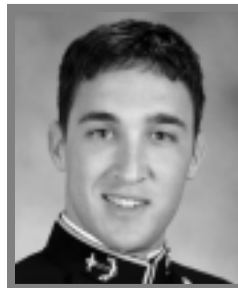
Stephanie Altomare

SOPHOMORE
RICHBORO, PA.

At Navy: 2005-06 — Sailed in four regattas...finished second in B Division at MAISA Freshman Championship...won B Division crewing at Arrigan Memorial.

Prior to Navy: 2005 graduate of Council Rock High School North...National Honor Society Member and Spanish Honor Society Member...Key Club...played soccer in high school...lists burping as a random talent and physics as her favorite class at the academy.

Personal: Daughter of Frank and Dianne Altomare...has one sister...born April 3, 1987...majoring in astronautical engineering.



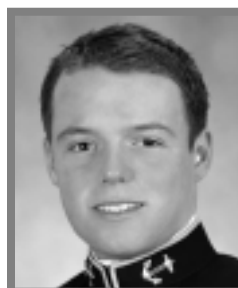
Michael Curran

SOPHOMORE
ST. PETERSBURG, FLA.

At Navy: 2005-06 — Sailed in three regattas.

Prior to Navy: 2005 graduate of Shorecrest Prep School...lists Shaun White and Terje Haakonsen as his favorite athletes...sailed out of St. Pete and Clearwater Yacht Club

Personal: Son of Tim and Nancy Curran...has one sister...born May 3, 1986...majoring in oceanography.



Mac Fletcher

SOPHOMORE
PENSACOLA, FLA.

At Navy: 2005-06 — Sailed in six regattas...sailed C division for team all year...finished third at MAISA Open skippering B division...

Prior to Navy: 2004 graduate of B.T. Washington High School...likes the amount of skill sailing requires and the variety of conditions that exist to compete in...sailed out of Pensacola Yacht Club as a junior...lists the Mahan Clock Tower as his favorite place on the yard.

Personal: Son of Lynwood and Vicki Fletcher...born October 19, 1986...majoring in oceanography.



Tricia Kutkiewicz

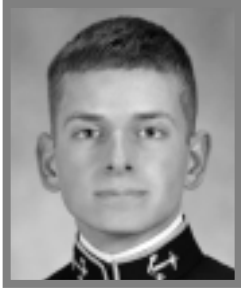
SOPHOMORE
CENTER MORICHES, N.Y.

At Navy: 2005-06 — Sailed in 12 regattas...won Team Race Challenge as a crew...finished second at the Dellenbaugh crewing in A division...won MAISA Women's

Spring Championship crewing in A division...helped A division to fifth place at ICSEA Women's Dinghy Nationals...

Prior to Navy: Graduate of Center Moriches High School...National Honors Society...soccer team captain...secretary of graduating class...lists her brother as a role model due to his accomplishments and determination to succeed...nicknamed TK and/or Kut-K...grew up sailing at Moriches Yacht Club.

Personal: Daughter of Ron and Sandy Kutkiewicz...has one brother...born June 15, 1987...majoring in oceanography.



James Licata

SOPHOMORE
MEQUON, WIS.

At Navy: 2005-06 — Sailed in three regattas...won A division at the ODU Open as a crew...finished first at the University of Maryland 2-on-2 Regatta...winner of the

LCDR Williams Seamanship Most Improved Award.

Prior to Navy: 2005 graduate of Homestead High School...second in his class of 381...enjoys the knowledge required to be successful at sailing, yet at the same time its overall simplicity...favorite pastime is flying.

Personal: Son of Steve and Mary Licata...has one brother...born November 18, 1986...majoring in aerospace engineering.



Andrew Vann

SOPHOMORE
TAMPA, FLA.

At Navy: 2005-06 — Sailed in 10 regattas...skipped both team racing and fleet racing...finished eighth in A division at the America Trophy.

Prior to Navy: Graduate of H.B. Plant High School...sailing team captain...National Honor Society member...played lacrosse and cross country in high school...member of Delphi Service Club and Latin Club...lists Eddie Merckx as his favorite athlete...once rescued a drowning shipmate while sailing in the Gulf of Mexico...sailed for Davis Island Yacht Club as a junior...nicknamed Clifford.

Personal: Son of David and Cynthia Vann...has two brothers...born December 28, 1986 in Monterrey, CA...majoring in Naval Architecture.

NAVAL ACADEMY FACTS

NAVY SAILING

- Education valued at \$275,000
- The Navy pays tuition, room and board, medical and dental, and provides active-duty military benefits
- Midshipmen receive a salary (\$699/month) used for laundry, barber, activities, yearbook, clothing, etc.
- 30 days paid vacation plus holidays per year
- 18 diverse majors
- Trident Scholar and Voluntary Graduate Education Programs
- Naval Academy Faculty comprised of 50% Civilian and 50% Military
- Student-Faculty ratio is less than 8-to-1 (ranked as one of the most accessible)
- Individual lecture halls and small labs

Find more info about the Naval Academy by visiting our website:

<http://www.usna.edu/>

Find more info about the Naval Academy Admissions by visiting our website:

<http://www.usna.edu/Admissions/>

NAVY SAILING TEAM FACTS

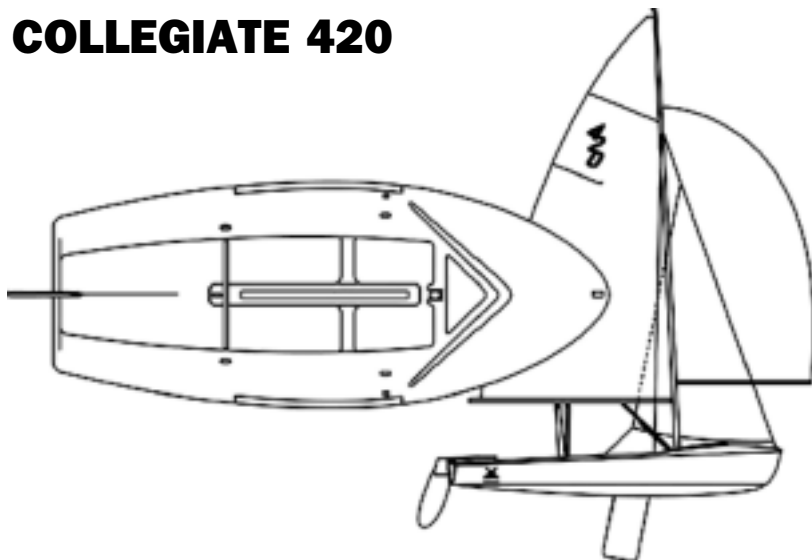
- Navy Academy Sailing Program-Fleets
- 136 Lasers
- 22 FJ's
- 22 420's
- 3 Larks
- 3 Inter Clubs
- 3 Vanguard 15's
- 12 J24's
- 20 Colgate 26's
- 20 Navy 44 Foot Sloops
- Several Grand Prix Sloop Offshore Racers
- 71 All-America Coed Sailor Awards
- 36 All-America Crew Awards
- 17 All-America Women's Awards
- 4 Collegiate Sailor of the Year
- Collegiate National Championships:
- Dinghy and Women's Champions six times each
- Team Racing and Sloop Champions six times each
- Singlehanded Champions Seven times
- Fowle Trophy - Best Overall Collegiate Team Performance, in which Navy has won 10 times! More than any other school in the nation!
- Multiple Olympic Campaigns in the Laser, Finn, 470, 49er, & Soling Classes

Find more info about the Navy Sailing Programs by visiting our website:

<http://www.usna.edu/SailingTeam/>

Navy Sailing Fleets

COLLEGIATE 420



SPECS

LOA: 13' 9"

Beam: 5' 5"

Sail Area: main and jib - 110 square feet

Weight: 260 pounds (fully rigged)

The Collegiate 420 was designed and built in response to the growing need for a more durable, high-performance, double-handed racing dinghy that could stand up to the rigors of club and collegiate programs. Ideal for crews ranging in size from 220-310 pounds.

SPECS

LOA: 13' 10.5"

Beam: 4' 6"

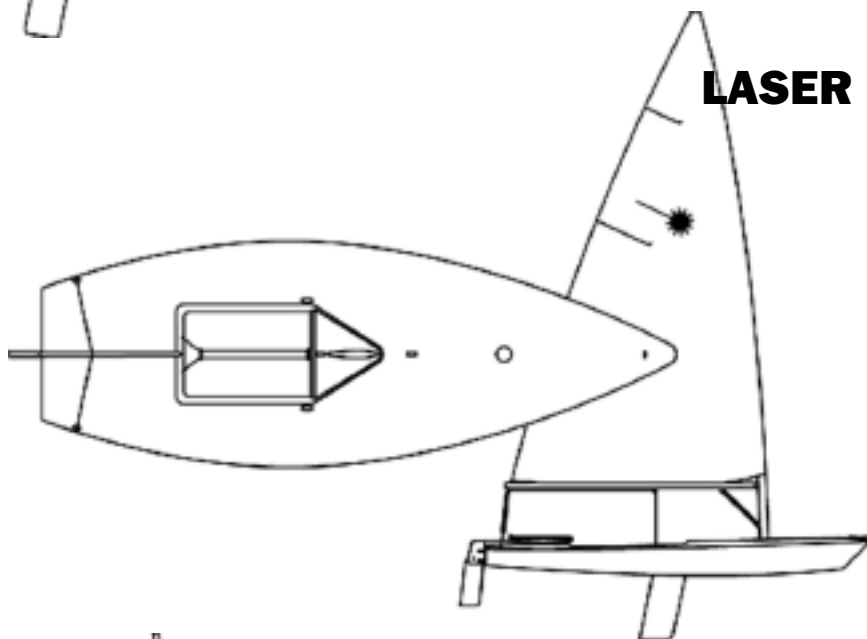
Sail Area: 76 square feet

Mast Height: 20' 1"

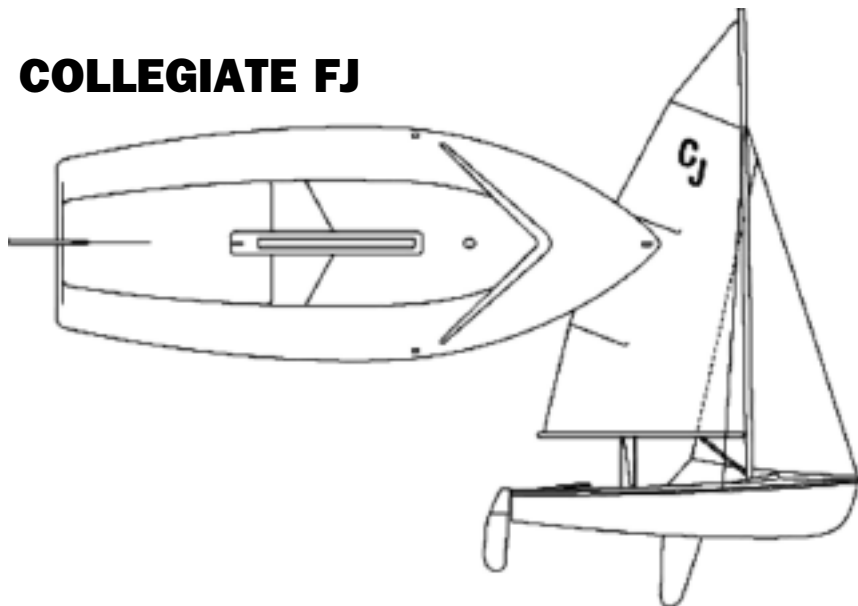
Hull Weight: 130 pounds

Designer: Bruce Kirby

The Laser is designed for simplicity. The hull shape, blades and rig combine to create the ultimate sailing machine. Every Laser in the world is identical, and strict class rules ensure that every boat is identical. The Laser is a challenging boat that rewards athleticism, subtle steering and trimming techniques as well as tactical excellence.



COLLEGIATE FJ



SPECS

LOA: 13' 3"

Beam: 4' 11"

Sail Area: Main and Jib @ 100 square feet

Rigged Weight: 255 pounds

The Collegiate FJ is sailed by more collegiate sailing teams than any other doublehanded sailboat. The simple layout serves as a fantastic teaching aid to high school and collegiate sailors as well. It requires sailors to become ultra sensitive to small changes in halyard tension, heel angle, mainsheet trim, and jib sheet trim. The Collegiate FJ deep rounded hull shape allows for easy maneuverability, which also encourages sailors to hone their boathandling skills. This ease in handling that the Collegiate FJ allows also makes it an excellent boat for team racing.

Individual Honors

NAVY COLLEGIATE ALL-AMERICA SAILORS

Robert D. Fischl	1967
R. DuBose Joslin	1969
Daniel M. Rugg	1969, 1970
William L. Campbell	1971, 1972, 1973
Douglas W. Hart	1976
Paul A. LaBossiere	1977
Garland P. Wright	1977
Gerard T. Coleman	1978, 1979, 1980
Timothy J. McGee	1978
Paul M. Van Cleve	1978, 1979
Jasper Craig	1979, 1980
Robert K. Anoll	1980, 1981
John G. Speer	1980
Mary Brigden	1981
Nick Madigan	1981
Robert B. Brown	1983
Harold L. Gilreath, Jr.	1983, 1984
Brian Ledbetter	1983, 1984, 1985
Rick Merriman	1983, 1984, 1985
Robert E. Hallawell	1985, 1986, 1987
George Slook	1986
Alexander C. Cutler	1986, 1987, 1988
Edward A. Eckert	1987
Per Lovfald	1988, 1989
Keith B. Davids	1988, 1989, 1990
Charles Pucciariello	1989
Bradley M. Rodi	1990, 1991, 1992, 1993
William B. Graves	1991, 1992
Susan S. Minton	1991, 1992
Michael G. O'Bryan	1992, 1993
David G. Fagen, III	1993, 1994
Eric Naranjo	1994
Ryan Cox	1994, 1995
R.D. Burley	1995, 1996
William C. Stout	1996, 1997, 1998
Dean R. Balcirak	1997, 1998
Eugene Schmitt	1999
Travis Weber	2001, 2002

NAVY COLLEGIATE ALL-AMERICA

WOMEN'S SAILORS

(First Awarded In 1987)

Susan Mitchell	1987
Gretchen Stage	1987, 1988
Cynthia Williams	1989, 1991
Susie Minton	1989, 1990, 1991, 1992
Mallory Mestayer	1994, 1995, 1996, 1997
Julie Younger	1995, 1996, 1997, 1998
Charlotte Hill	2006
Katie Whitman	2006

HALL OF FAME

The College Sailing Hall of Fame recognizes sailing achievement prior to the establishment of All-America honors in 1967 and Women's All-America honors in 1987, or contribution to intercollegiate sailing. The following are those Naval Academy graduates that have been so honored and named to the Intercollegiate Hall of Fame:

1970	James P. Googe Jr. '57; Charles R. Ulmer '61
1971	David C. Minton III '56, Richard I. Tillman '58
1994	Kathryn Karlson '80
1995	Pamela Corwin '83, Deborah Dunbar '82
1998	Adm. Robert W. McNitt '38

NAVY COLLEGIATE HONORABLE MENTION

ALL-AMERICA SAILORS

Mark Miller	1978
Mary Brigden	1980
Mark Converse	1981, 1982
Debbie Dunbar	1981
Robbie Brown	1982
Ted Mortensen	1982
Dixon Smith	1982
Pam Corwin	1983
Scott Harrison	1985
George Slook	1985
Keith Davids	1987
Ted Williams	1987
Jay Cavalieri	1989
David Blackman	1990
Mike Varney	1990
Tim Wachendorfer	1991
David Fagen	1992
Ryan Cox	1993
Eric Naranjo	1993
Will Stout	1995
Walter H. Allman	1996, 1997
Grant Garcia	1999
Wade Tornyos	1999, 2000
Alexa Bestoso	2004

NAVY SAILING ALL-AMERICA CREW

Cheri Kerr	1983, 1984
Melanie Kirby	1983
Allie Coetzee	1985
Emily Almonte	1986, 1987, 1988
Jamie Fontanella	1986
Yvette Gonzalez	1987, 1989
Sally Chamberlain	1988, 1989
Shane Baldino	1990, 1991
Julie Kohl	1990, 1991
Jeri Lea Smalley	1991
Jennifer Jones	1992
Reid McLaughlin	1992
Heather Keane	1993, 1994
W. Paul Kenney	1993
Akane Saunders	1993
Melissa Jackson	1994
Blanca Funes	1994, 1995
Jessica Danluck	1995, 1996, 1997
Erica Muesler	1995, 1996, 1997
<i>(Won Robert H. Hobbs Sportsmanship Trophy)</i>	
Susan Olivier	1998
Maria Alsina	1999
Missy Carter	2000
Emilia Spencer	2002
Andrea White	2006